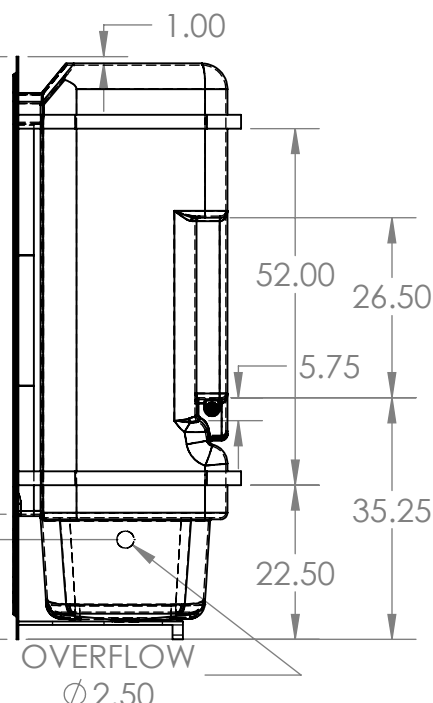
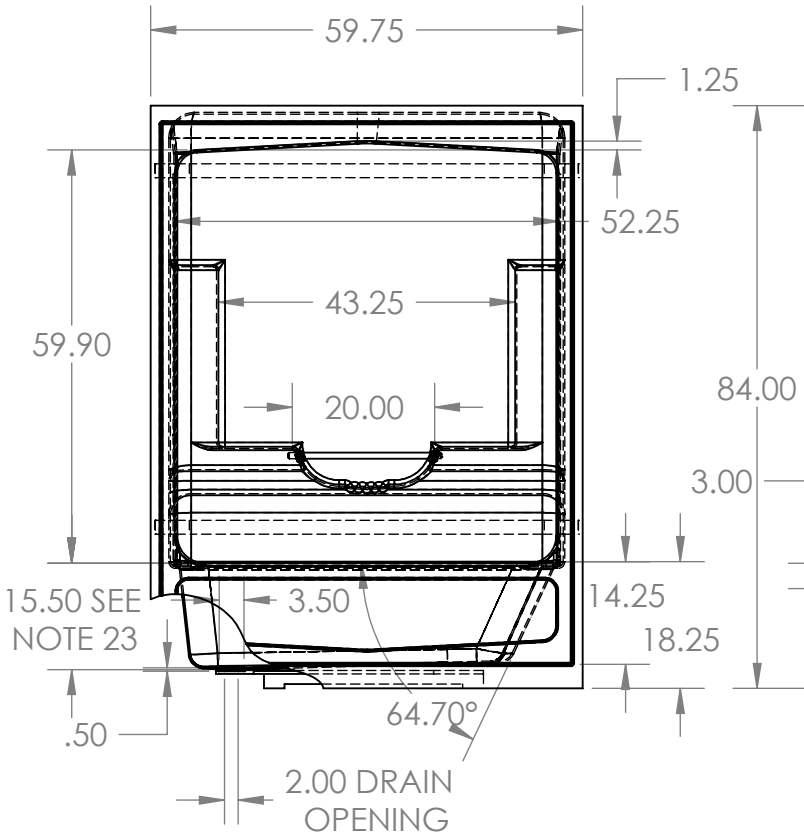
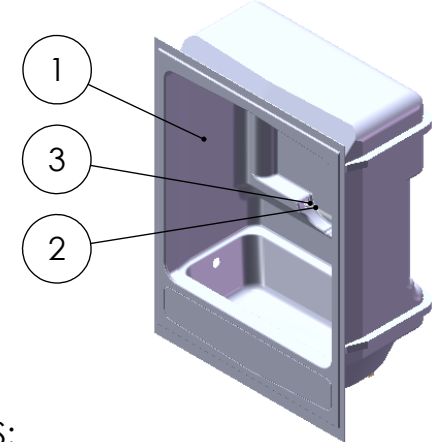


ITEM NO.	PART NUMBER	QTY.
1	9300-9305L - 3 PIECE TUB-SHOWER LEFT	1
2	22.5" ACRYLIC BAR	1
3	PVC BUSHING	2
4	91 TUB-SHOWER LEFT	1
5	19' SUPPORT STICK	6



- NOTES:
- ALL LARGE RADIUS 3.0" AND ALL SMALL RADIUS 0.50" UNLESS OTHERWISE STATED
 - DIMENSION IS FROM TOP OF THRESHOLD TO THE TOP OF FIXTURE DRAIN OPENING
 - DIMENSION IS FROM TOP OF FIXTURE DRAIN OPENING TO BOTTOM OF TUB BATHING WELL
 - ALL SHELVES HAVE 1 DEGREE OR GREATER SLOPE TOWARDS THE DRAIN FOR DRAINAGE
 - ALL DIMENSIONS ARE APPROXIMATE AND SUBJECT TO CHANGE WITHOUT PRIOR NOTICE



PROPRIETARY AND CONFIDENTIAL
 THE INFORMATION CONTAINED IN THIS DRAWING IS THE SOLE PROPERTY OF TOMLIN INDUSTRIES (2000) INC. ANY REPRODUCTION IN PART OR AS A WHOLE WITHOUT THE WRITTEN PERMISSION OF TOMLIN INDUSTRIES (2000) INC. IS PROHIBITED.

UNLESS OTHERWISE SPECIFIED:
 DIMENSIONS ARE IN INCHES
 TOLERANCES:
 FRACTIONAL: ± 3%
 ANGULAR: ± 5%
 TWO PLACE DECIMAL: ± 3%
 THREE PLACE DECIMAL: ± 3%

MATERIAL	ACRYLIC SHEET
FINISH	

DO NOT SCALE DRAWING

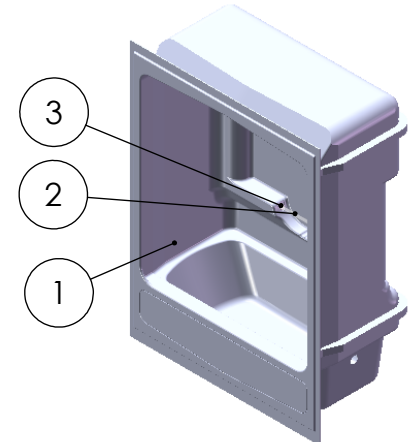
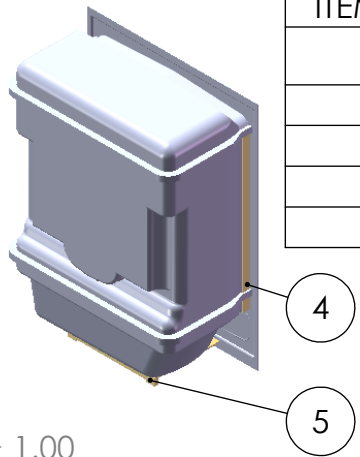
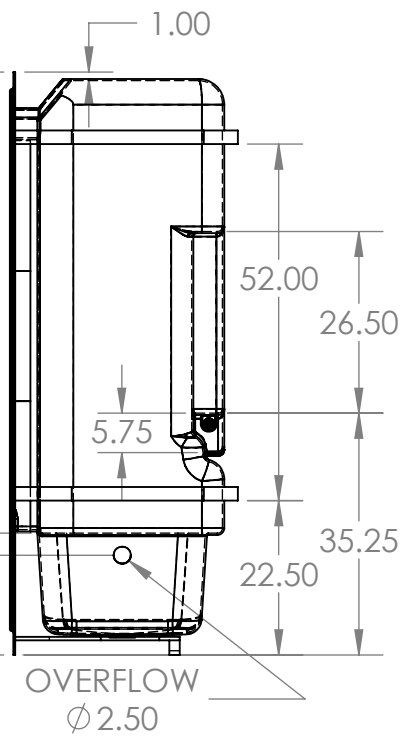
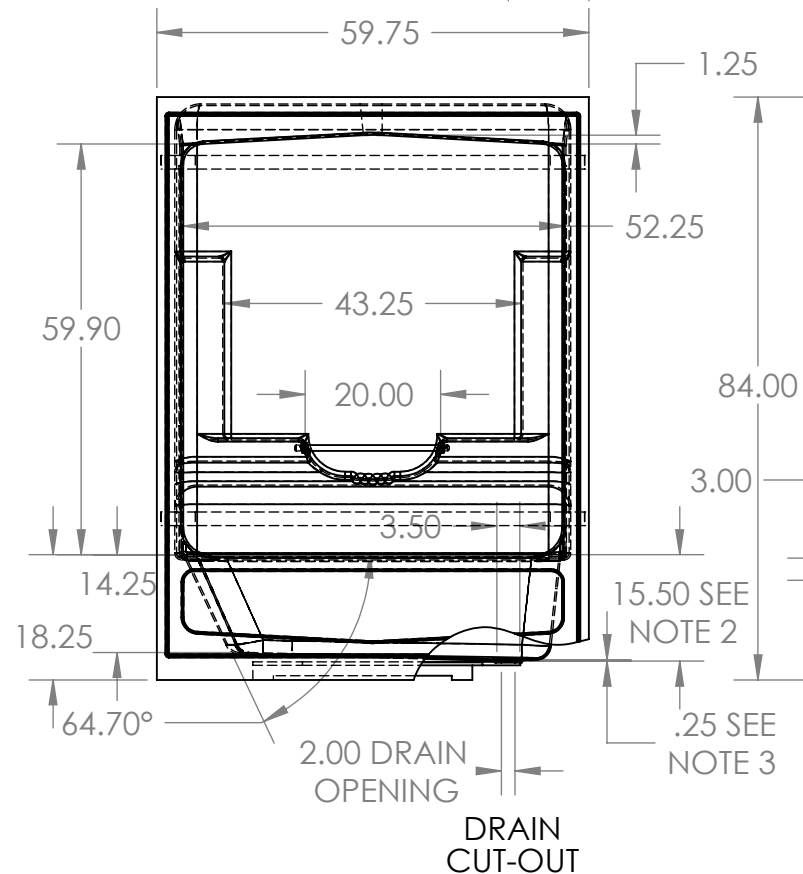
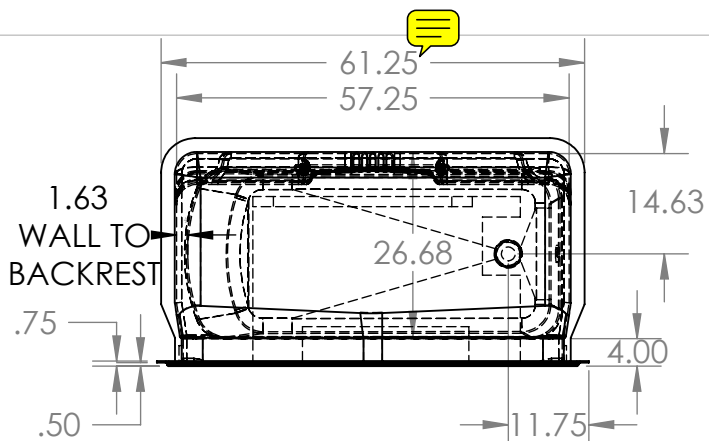
	NAME	DATE
DRAWN	D.S.	12/17/07
CHECKED		
ENG APPR.		
MFG APPR.		
Q.A.		

COMMENTS:
 AVAILABLE IN WHITE, BONE AND BISCUIT

TITLE:
5' ICON 3-PIECE SHOWER LEFT

SIZE	DWG. NO.	REV
A	9300-9305L	

SCALE: 1:28 WEIGHT: SHEET 1 OF 1



ITEM NO.	PART NUMBER	QTY.
1	9300-9305R - 3 PIECE TUB-SHOWER RIGHT	1
2	22.5" ACRYLIC BAR	1
3	PVC BUSHING	2
4	19' SUPPORT STICK	6
5	91 TUB-SHOWER RIGHT	1

- NOTES:
- ALL LARGE RADIUS 3.0" AND ALL SMALL RADIUS 0.50" UNLESS OTHERWISE STATED
 - DIMENSION IS FROM TOP OF THRESHOLD TO THE TOP OF FIXTURE DRAIN OPENING
 - DIMENSION IS FROM TOP OF FIXTURE DRAIN OPENING TO BOTTOM OF TUB BATHING WELL
 - ALL SHELVES HAVE 1 DEGREE OR GREATER SLOPE TOWARDS THE DRAIN FOR DRAINAGE
 - ALL DIMENSIONS ARE APPROXIMATE AND SUBJECT TO CHANGE WITHOUT PRIOR NOTICE



PROPRIETARY AND CONFIDENTIAL
 THE INFORMATION CONTAINED IN THIS DRAWING IS THE SOLE PROPERTY OF TOMLIN INDUSTRIES (2000) INC. ANY REPRODUCTION IN PART OR AS A WHOLE WITHOUT THE WRITTEN PERMISSION OF TOMLIN INDUSTRIES (2000) INC. IS PROHIBITED.

UNLESS OTHERWISE SPECIFIED: DIMENSIONS ARE IN INCHES TOLERANCES: FRACTIONAL: ± 3% ANGULAR: ± 5% TWO PLACE DECIMAL: ± 3% THREE PLACE DECIMAL: ± 3%	DRAWN	NAME	DATE
MATERIAL ACRYLIC SHEET	CHECKED	D.S.	12/17/07
FINISH	ENG APPR.		
	MFG APPR.		
	Q.A.		
DO NOT SCALE DRAWING	COMMENTS: AVAILABLE IN WHITE, BONE AND BISCUIT		

TITLE: 5' ICON 3-PIECE SHOWER RIGHT		
SIZE A	DWG. NO. 9300-9305R	REV
SCALE: 1:28	WEIGHT:	SHEET 1 OF 1