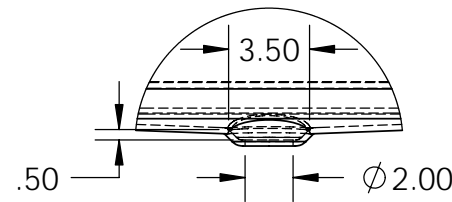
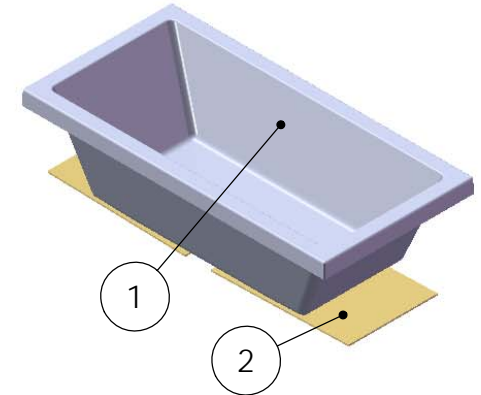
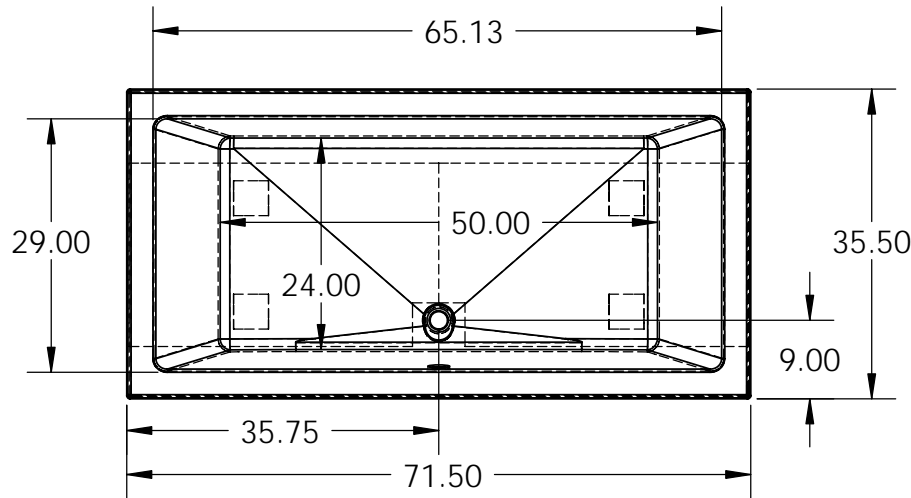
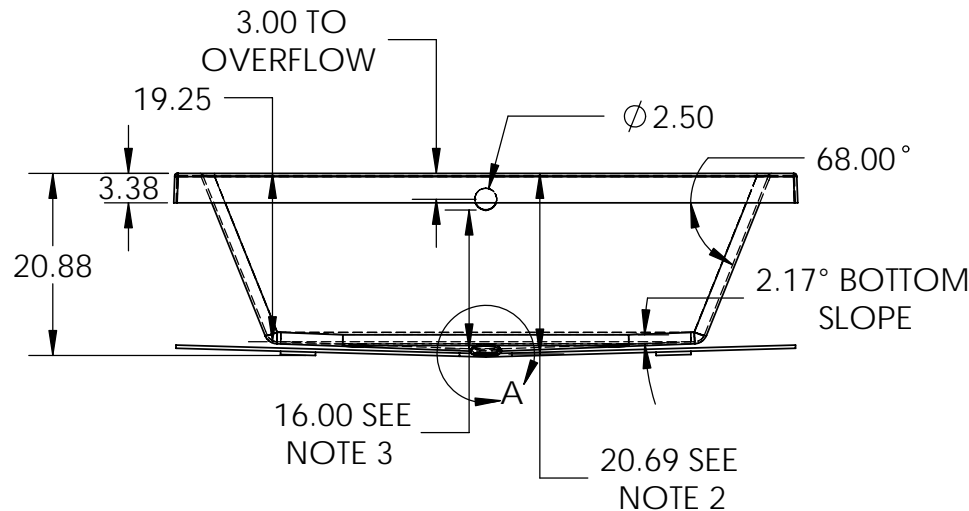


| ITEM NO. | PART NUMBER | QTY. |
|----------|-----------------------------------------|------|
| 1 | 72Z36 - 6' ZENDO III DROP-IN BATHTUB | 1 |
| 2 | WOOD 72Z36 | 1 |



DETAIL A
SCALE 1 : 8



NOTES:

1. ALL RADIUS ON LIP ARE 0.38" AND ALL INTERIOR RADIUS ARE 1.25" UNLESS STATED OTHERWISE
2. DIMENSION IS FROM TOP OF THRESHOLD TO THE TOP OF FIXTURE DRAIN OPENING
3. DIMENSION IS FROM BOTTOM OF OVERFLOW TO THE LOWEST POINT IN BATHING WELL
4. ALL DIMENSIONS ARE APPROXIMATE AND SUBJECT TO CHANGE WITHOUT PRIOR NOTICE



PROPRIETARY AND CONFIDENTIAL
THE INFORMATION CONTAINED IN THIS DRAWING IS THE SOLE PROPERTY OF TOMLIN INDUSTRIES (2000) INC. ANY REPRODUCTION IN PART OR AS A WHOLE WITHOUT THE WRITTEN PERMISSION OF TOMLIN INDUSTRIES (2000) INC. IS PROHIBITED.

| | | | | |
|---------------------------------------------------------------------------------------------------------------------------------------------------------------------|------------------------------------------------------|------|---------|---------------------------------------------------|
| UNLESS OTHERWISE SPECIFIED: DIMENSIONS ARE IN INCHES TOLERANCES: FRACTIONAL: ± 3% ANGULAR: ± 5% TWO PLACE DECIMAL: ± 3% THREE PLACE DECIMAL: ± 3% | DRAWN | NAME | DATE | TITLE: 6' ZENDO III DROP-IN BATHTUB |
| MATERIAL ACRYLIC SHEET | CHECKED | D.S. | 9/20/07 | |
| FINISH | ENG APPR. | | | |
| DO NOT SCALE DRAWING | MFG APPR. | | | |
| | Q.A. | | | |
| | COMMENTS: AVAILABLE IN WHITE, BONE AND BISCUIT | | | SIZE A |
| | | | | DWG. NO. 72Z36 |
| | | | | REV |
| | | | | SCALE: 1:22 |
| | | | | WEIGHT: |
| | | | | SHEET 1 OF 1 |