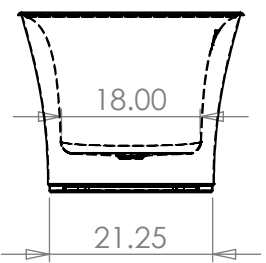
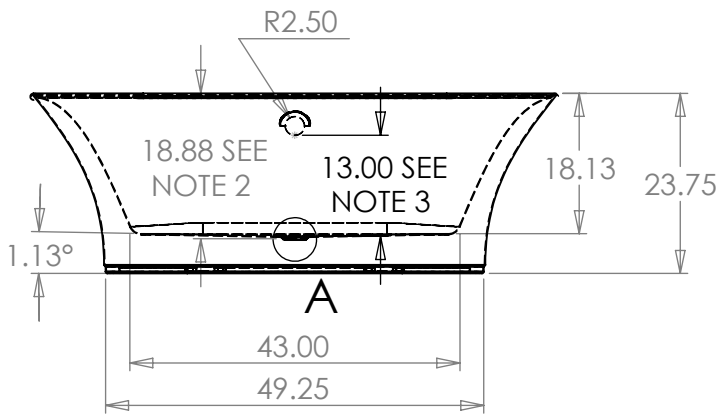
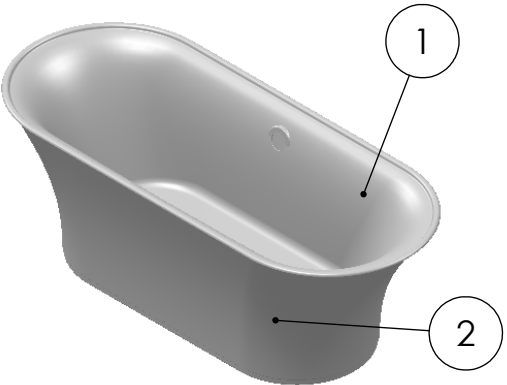
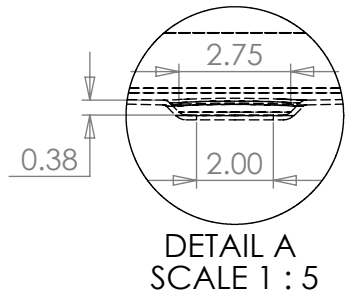
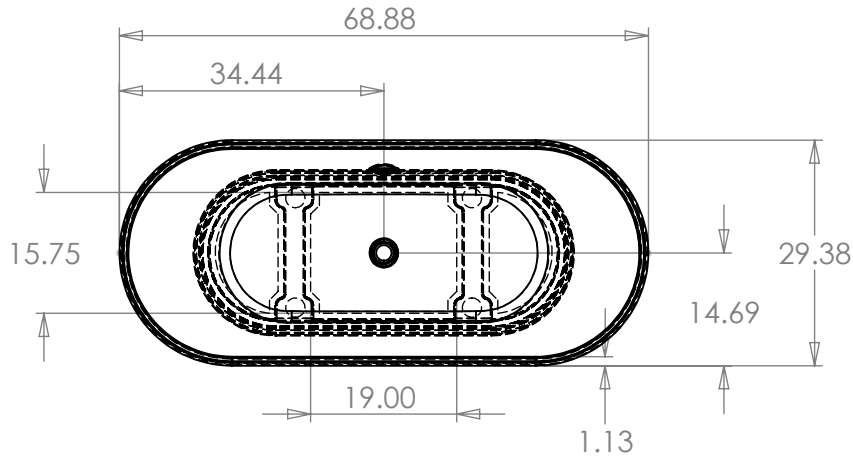


ITEM NO.	PART NUMBER	QTY.
1	69FS29 - PASSION FREESTANDING TUB	1
2	69FS29 - PASSION FREESTANDING SKIRT	1



- NOTES:
1. ALL LARGE RADIUS 1.5" AND ALL SMALL RADIUS 0.25"
 2. DIMENSION IS FROM TOP OF THRESHOLD TO THE TOP OF FIXTURE DRAIN OPENING
 3. DIMENSION IS FROM BOTTOM OF OVERFLOW TO THE BASE OF BATHING WELL
 4. BOTTOM OF TUB SUPPORTED BY FOUR ADJUSTABLE FEET
 5. ALL DIMENSIONS ARE APPROXIMATE AND SUBJECT TO CHANGE WITHOUT PRIOR NOTICE



PROPRIETARY AND CONFIDENTIAL
 THE INFORMATION CONTAINED IN THIS DRAWING IS THE SOLE PROPERTY OF TOMLIN INDUSTRIES (2000) INC. ANY REPRODUCTION IN PART OR AS A WHOLE WITHOUT THE WRITTEN PERMISSION OF TOMLIN INDUSTRIES (2000) INC. IS PROHIBITED.

UNLESS OTHERWISE SPECIFIED: DIMENSIONS ARE IN INCHES TOLERANCES: FRACTIONAL: ± 3% ANGULAR: ± 5% TWO PLACE DECIMAL: ± 3% THREE PLACE DECIMAL: ± 3%	DRAWN	NAME	DATE	TITLE: PASSION FREE-STANDING TUB
MATERIAL ACRYLIC	CHECKED	D.S.	11/3/09	
FINISH	ENG APPR.			
	MFG APPR.			
	Q.A.			
DO NOT SCALE DRAWING	COMMENTS: AVAILABLE IN WHITE ONLY			

SIZE A	DWG. NO. 69FS29	REV
SCALE: 1:25	WEIGHT:	SHEET 1 OF 1