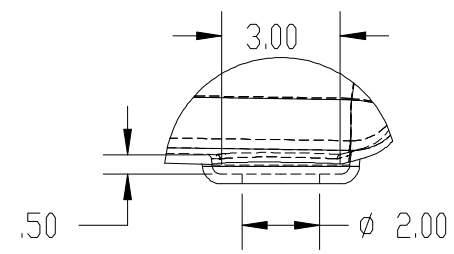
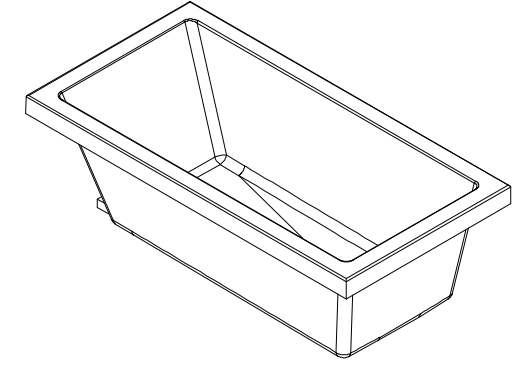
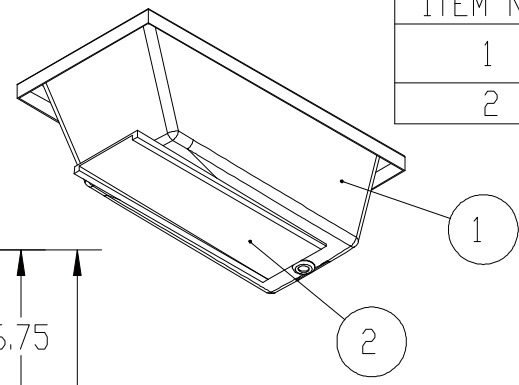
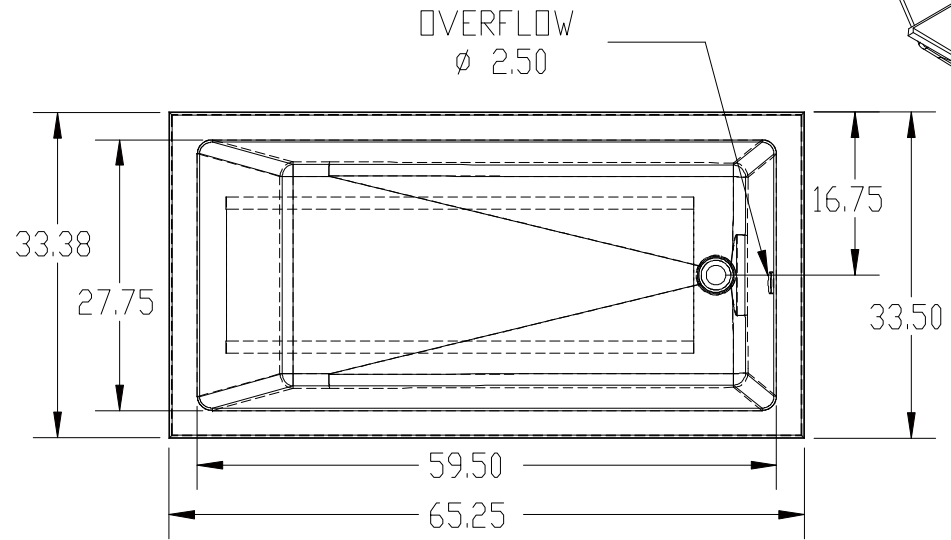
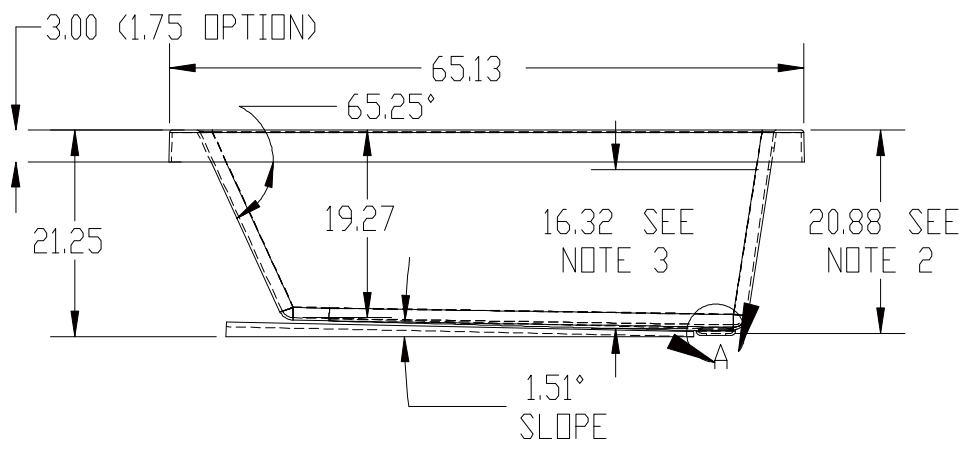


ITEM NO.	PART NUMBER	QTY.
1	66Z34 - 5.5' ZENDO II DROP-IN BATHTUB	1
2	WOOD 66Z34	1



DETAIL A
SCALE 1 : 5



- NOTES:
1. ALL RADIUS ON LIP AND DRAIN ARE 0.25" AND ALL INTERIOR RADIUS ARE 1.25" UNLESS OTHERWISE STATED
 2. DIMENSION IS FROM TOP OF THRESHOLD TO THE TOP OF FIXTURE DRAIN OPENING
 3. DIMENSION IS FROM BOTTOM OF OVERFLOW TO THE LOWEST POINT IN BATHING WELL
 4. UNIT VOLUME: 60 US GALLONS
 5. ADJUSTABLE FEET BETWEEN 1" AND 2.75" ADDITIONAL HEIGHT CAN BE ADDED
 6. ALL DIMENSIONS ARE APPROXIMATE AND SUBJECT TO CHANGE WITHOUT PRIOR NOTICE



PROPRIETARY AND CONFIDENTIAL
THE INFORMATION CONTAINED IN THIS DRAWING IS THE SOLE PROPERTY OF TOMLIN INDUSTRIES (2000) INC. ANY REPRODUCTION IN PART OR AS A WHOLE WITHOUT THE WRITTEN PERMISSION OF TOMLIN INDUSTRIES (2000) INC. IS PROHIBITED.



UNLESS OTHERWISE SPECIFIED:		NAME	DATE	TITLE:	
DIMENSIONS ARE IN INCHES		DRAWN	D.S.	5.5' ZENDO II	
TOLERANCES:		CHECKED	9/25/07	DROP-IN BATHTUB	
FRACTIONAL: ± 3%		ENG APPR.		SIZE	DWG. NO.
ANGULAR: ± 5%		MFG APPR.		A	66Z34
TWO PLACE DECIMAL: ± 3%		Q.A.		SCALE: 1:20	WEIGHT:
THREE PLACE DECIMAL: ± 3%		COMMENTS:			SHEET 1 OF 1
MATERIAL		AVAILABLE IN WHITE, BONE AND BUSCUIT			
ACRYLIC SHEET					
FINISH					
DO NOT SCALE DRAWING					