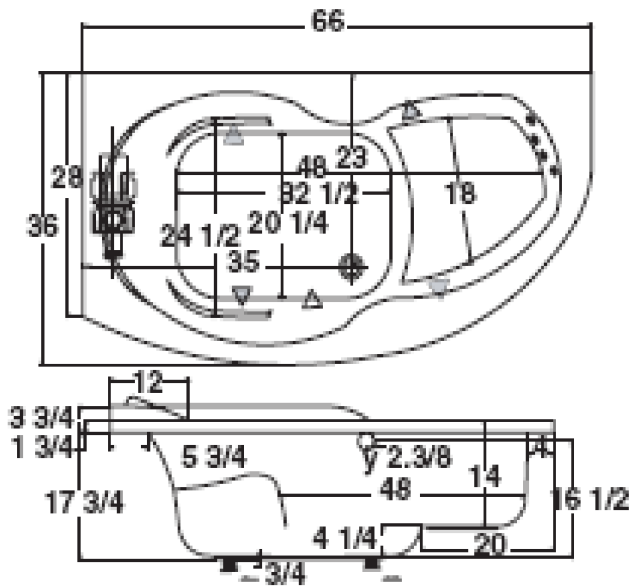


ITEM NO.	PART NUMBER	QTY.
1	66GT28 - CEZAN CORNER BATHTUB	1
2	WOOD 66GT28	1



- NOTES:
1. ALL LARGE RADIUS 1.0" AND ALL SMALL RADIUS 0.38" UNLESS STATED OTHERWISE
  2. ALL DIMENSIONS ARE APPROXIMATE AND SUBJECT TO CHANGE WITHOUT PRIOR NOTICE



**PROPRIETARY AND CONFIDENTIAL**  
 THE INFORMATION CONTAINED IN THIS DRAWING IS THE SOLE PROPERTY OF TOMLIN INDUSTRIES (2000) INC. ANY REPRODUCTION IN PART OR AS A WHOLE WITHOUT THE WRITTEN PERMISSION OF TOMLIN INDUSTRIES (2000) INC. IS PROHIBITED.

UNLESS OTHERWISE SPECIFIED: DIMENSIONS ARE IN INCHES TOLERANCES: FRACTIONAL: ± 3% ANGULAR: ± 5% TWO PLACE DECIMAL: ± 3% THREE PLACE DECIMAL: ± 3%	NAME	DATE
MATERIAL ACRYLIC SHEET	DRAWN D.S.	12/20/07
FINISH	CHECKED	
	ENG APPR.	
	MFG APPR.	
	Q.A.	
DO NOT SCALE DRAWING	COMMENTS: AVAILABLE IN WHITE, BONE AND BISCUIT	

TITLE: <b>CEZAN CORNER BATHTUB</b>		
SIZE <b>A</b>	DWG. NO. <b>66GT28</b>	REV
SCALE: 1:18	WEIGHT:	SHEET 1 OF 1