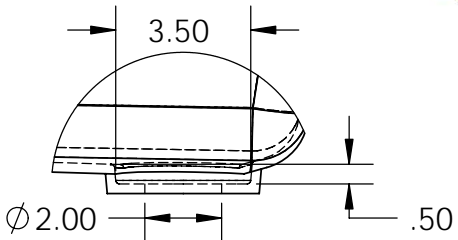
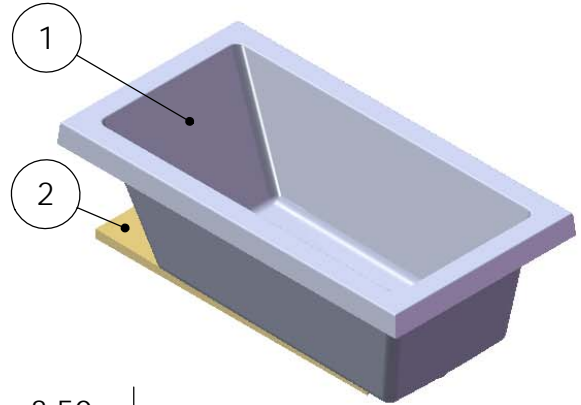
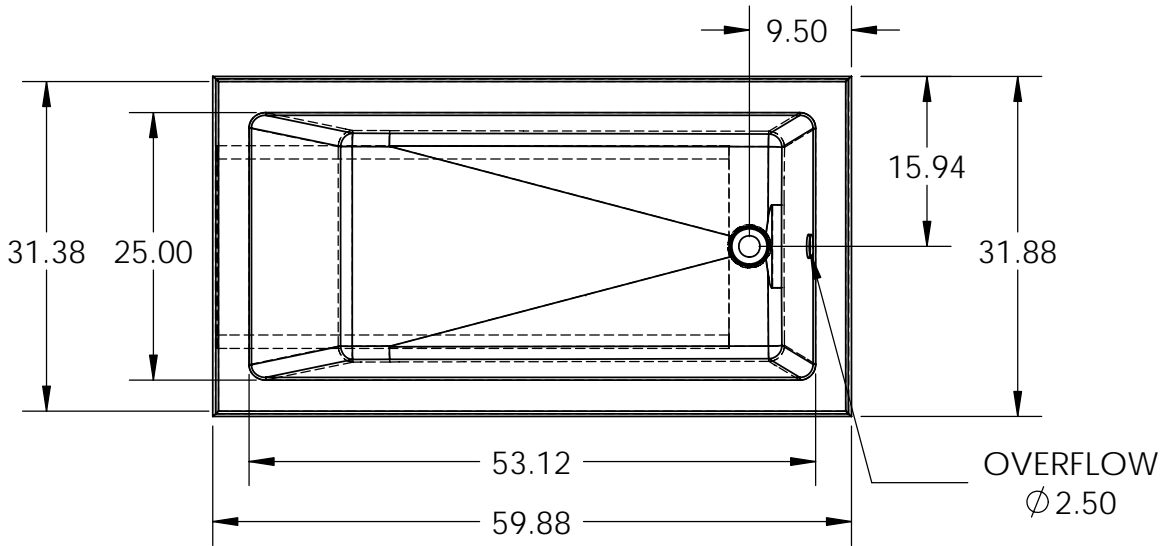
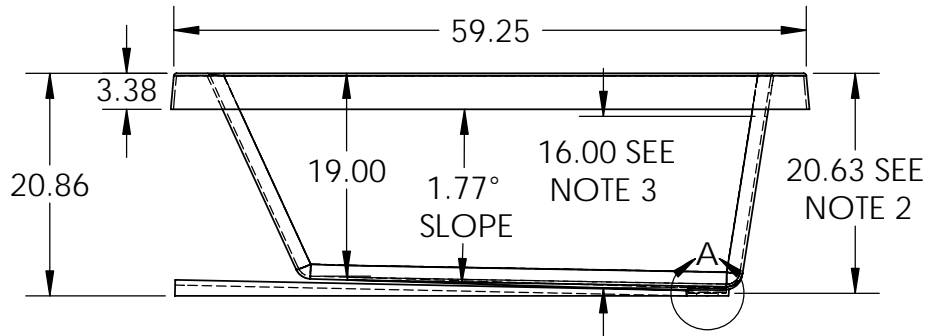


ITEM NO.	PART NUMBER	QTY.
1	60Z32 - 5' ZEN DROP-IN TUB	1
2	WOOD 60Z32	1



DETAIL A
SCALE 1 : 5



- NOTES:
1. ALL RADIUS ON LIP ARE 0.25" AND ALL INTERIOR RADIUS ARE 1.25" UNLESS OTHERWISE STATED
 2. DIMENSION IS FROM TOP OF THRESHOLD TO THE TOP OF FIXTURE DRAIN OPENING
 3. DIMENSION IS FROM BOTTOM OF OVERFLOW TO THE LOWEST POINT IN BATHING WELL
 4. ALL DIMENSIONS ARE APPROXIMATE AND SUBJECT TO CHANGE WITHOUT PRIOR NOTICE



PROPRIETARY AND CONFIDENTIAL
THE INFORMATION CONTAINED IN THIS DRAWING IS THE SOLE PROPERTY OF TOMLIN INDUSTRIES (2000) INC. ANY REPRODUCTION IN PART OR AS A WHOLE WITHOUT THE WRITTEN PERMISSION OF TOMLIN INDUSTRIES (2000) INC. IS PROHIBITED.

UNLESS OTHERWISE SPECIFIED:		NAME	DATE	TITLE:	
DIMENSIONS ARE IN INCHES		DRAWN	D.S.	5' ZENDO DROP-IN BATHTUB	
TOLERANCES:		CHECKED	9/12/07		
FRACTIONAL: $\pm 3\%$		ENG APPR.			
ANGULAR: $\pm 5\%$		MFG APPR.			
TWO PLACE DECIMAL: $\pm 3\%$		Q.A.		SIZE	DWG. NO.
THREE PLACE DECIMAL: $\pm 3\%$		COMMENTS:		A	60Z32
MATERIAL		AVAILABLE IN WHITE, BONE AND BISCUIT		SCALE: 1:18	WEIGHT:
ACRYLIC SHEET					
FINISH					
DO NOT SCALE DRAWING					SHEET 1 OF 1