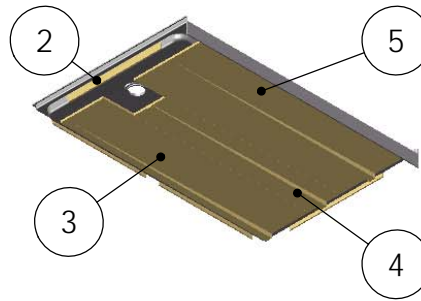
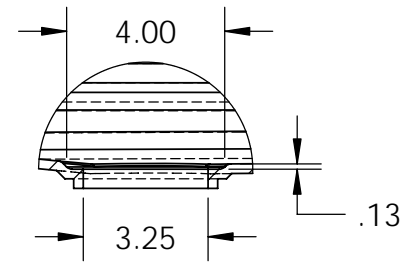
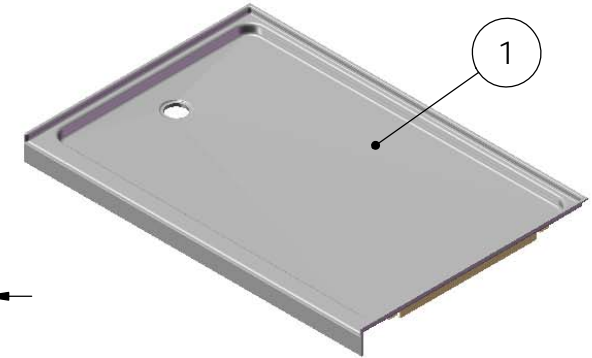
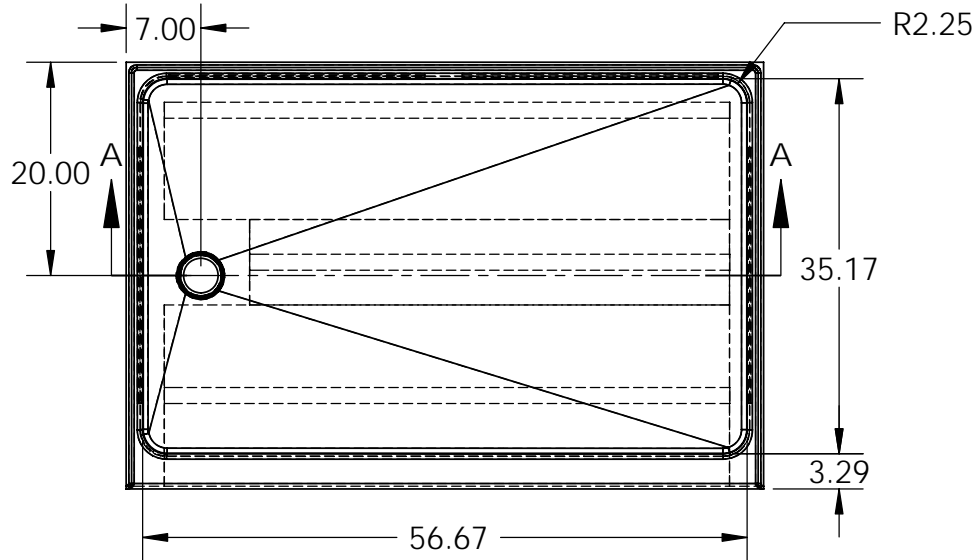


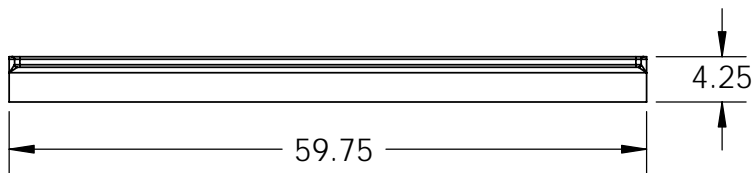
SECTION A-A
SCALE 1 : 18



ITEM NO.	PART NUMBER	QTY.
1	60SB40 - 40" SQUARE BASE LEFT	1
2	24" SUPPORT STICK	4
3	40" WOOD SQUARE BASE LEFT 1	1
4	40" WOOD SQUARE BASE 2	1
5	40" WOOD SQUARE BASE 3	1



DETAIL B
SCALE 1 : 5



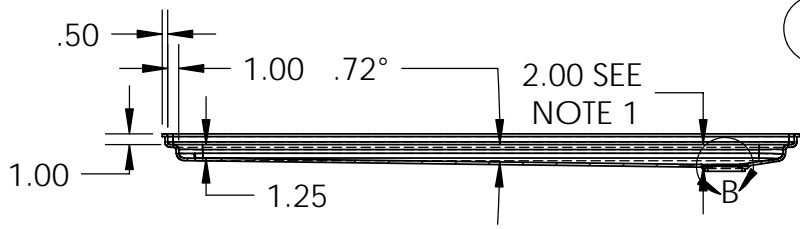
NOTES:

1. DIMENSION IS FROM TOP OF THRESHOLD TO THE TOP OF FIXTURE DRAIN OPENING
2. ALL RADIUS 0.50" UNLESS OTHERWISE STATED
3. ALL DIMENSIONS ARE APPROXIMATE AND SUBJECT TO CHANGE WITHOUT PRIOR NOTICE

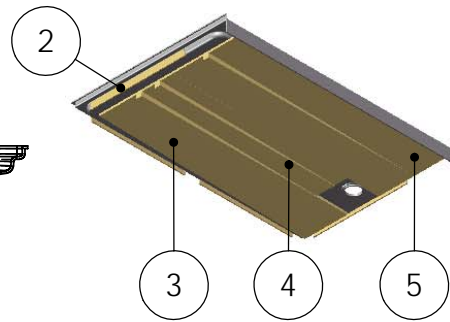


PROPRIETARY AND CONFIDENTIAL
THE INFORMATION CONTAINED IN THIS DRAWING IS THE SOLE PROPERTY OF TOMLIN INDUSTRIES (2000) INC. ANY REPRODUCTION IN PART OR AS A WHOLE WITHOUT THE WRITTEN PERMISSION OF TOMLIN INDUSTRIES (2000) INC. IS PROHIBITED.

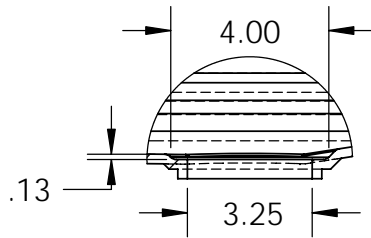
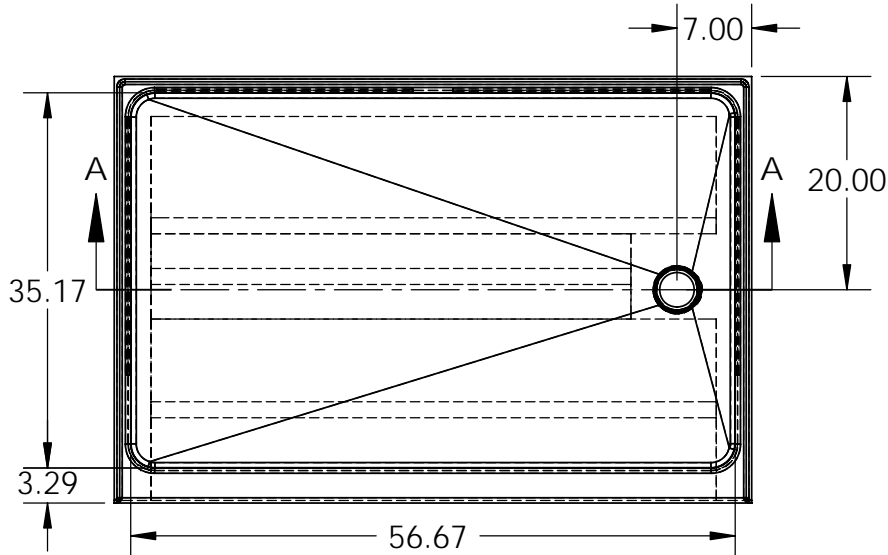
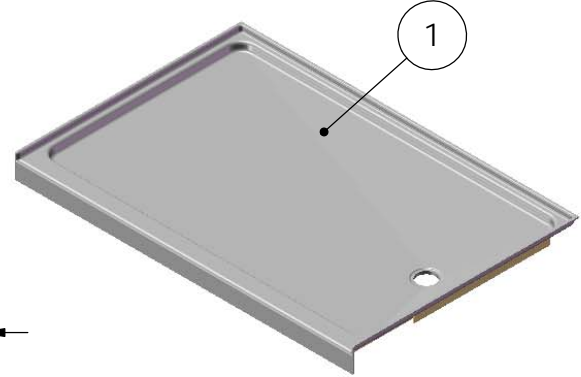
UNLESS OTHERWISE SPECIFIED: DIMENSIONS ARE IN INCHES TOLERANCES: FRACTIONAL: ± 3% ANGULAR: ± 5% TWO PLACE DECIMAL: ± 3% THREE PLACE DECIMAL: ± 3%	DRAWN	NAME	DATE	TITLE: SOHO 40 LEFT SQUARE BASE
MATERIAL ACRYLIC SHEET	CHECKED	D.S.	8/27/07	
FINISH	ENG APPR.			
DO NOT SCALE DRAWING	MFG APPR.			
	Q.A.			
	COMMENTS: AVAILABLE IN WHITE, BONE AND BISCUIT			SIZE A
				DWG. NO. 60SB40L
				REV
				SCALE: 1:24
				WEIGHT:
				SHEET 1 OF 1



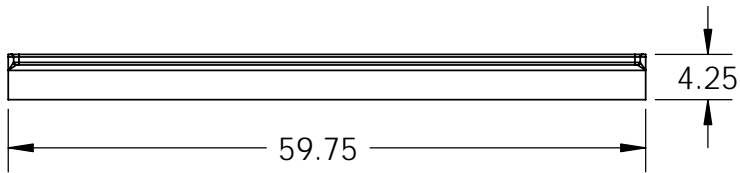
SECTION A-A
SCALE 1 : 18



ITEM NO.	PART NUMBER	QTY.
1	60SB40 - 40" SQUARE BASE RIGHT	1
2	24" SUPPORT STICK	4
3	40" WOOD SQUARE BASE LEFT 1	1
4	40" WOOD SQUARE BASE 2	1
5	40" WOOD SQUARE BASE 3	1



DETAIL B
SCALE 1 : 5



NOTES:

1. DIMENSION IS FROM TOP OF THRESHOLD TO THE TOP OF FIXTURE DRAIN OPENING
2. ALL RADIUS 0.50" UNLESS OTHERWISE STATED
3. ALL DIMENSIONS ARE APPROXIMATE AND SUBJECT TO CHANGE WITHOUT PRIOR NOTICE



PROPRIETARY AND CONFIDENTIAL
THE INFORMATION CONTAINED IN THIS DRAWING IS THE SOLE PROPERTY OF TOMLIN INDUSTRIES (2000) INC. ANY REPRODUCTION IN PART OR AS A WHOLE WITHOUT THE WRITTEN PERMISSION OF TOMLIN INDUSTRIES (2000) INC. IS PROHIBITED.

UNLESS OTHERWISE SPECIFIED: DIMENSIONS ARE IN INCHES TOLERANCES: FRACTIONAL: ± 3% ANGULAR: ± 5% TWO PLACE DECIMAL: ± 3% THREE PLACE DECIMAL: ± 3%	DRAWN	NAME	DATE
	CHECKED	D.S.	8/27/07
	ENG APPR.		
	MFG APPR.		
	Q.A.		
MATERIAL ACRYLIC SHEET	COMMENTS: AVAILABLE IN WHITIE, BONE AND BISCUIT		
FINISH	DO NOT SCALE DRAWING		

TITLE: SOHO 40 RIGHT SQUARE BASE		
SIZE A	DWG. NO. 60SB40R	REV
SCALE: 1:24	WEIGHT:	SHEET 1 OF 1