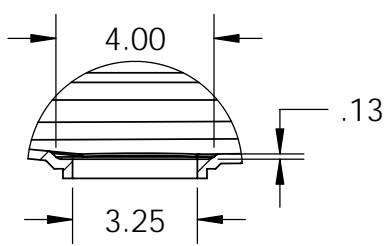
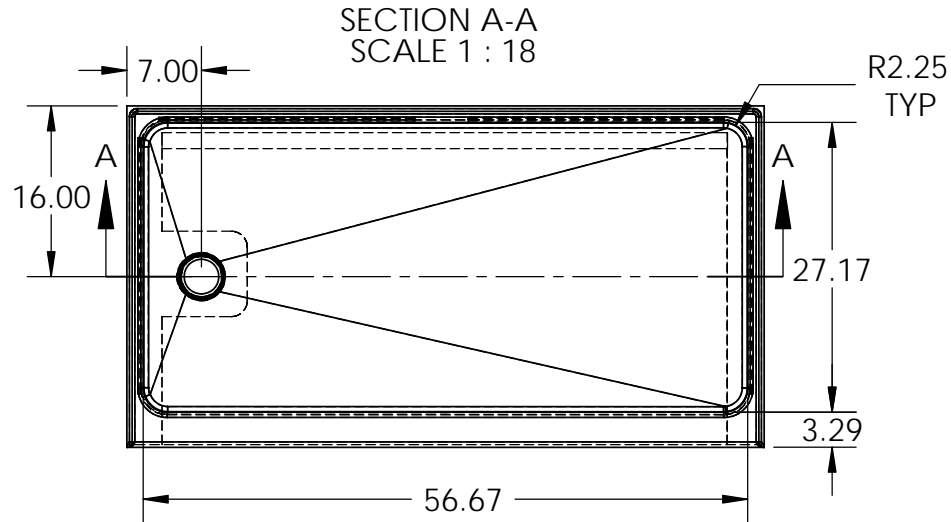
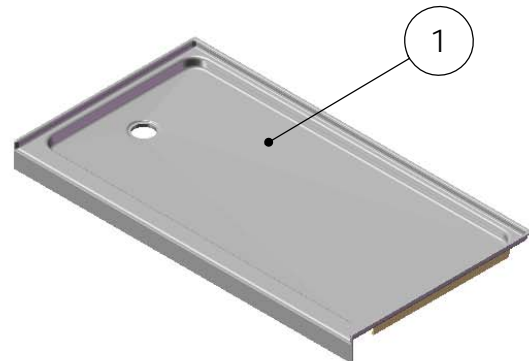
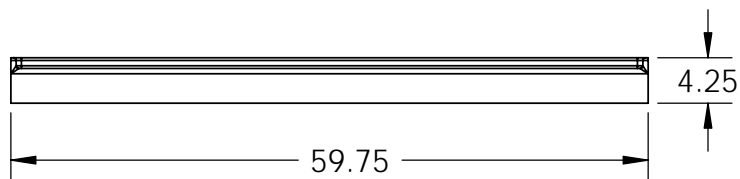


ITEM NO.	PART NUMBER	QTY.
1	60SB32 - 32" SQUARE BASE LEFT	1
2	24" SUPPORT STICK	4
3	32" WOOD SQUARE BASE LEFT	1



DETAIL B
SCALE 1 : 5



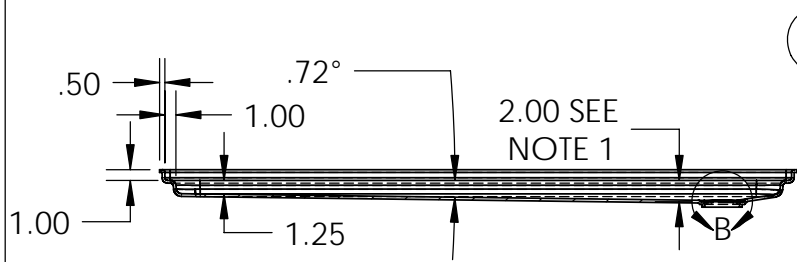
- NOTES:
1. DIMENSION IS FROM TOP OF THRESHOLD TO TOP OF FIXTURE DRAIN OPENING
 2. ALL RADIUS 0.50" UNLESS OTHERWISE STATED
 3. ALL DIMENSIONS ARE APPROXIMATE AND SUBJECT TO CHANGE WITHOUT PRIOR NOTICE



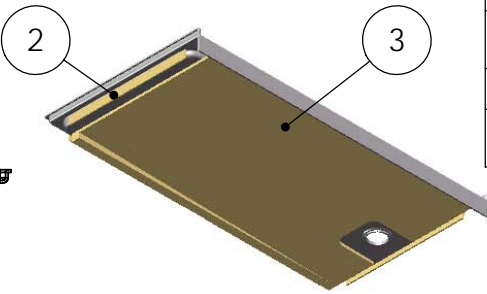
PROPRIETARY AND CONFIDENTIAL
THE INFORMATION CONTAINED IN THIS DRAWING IS THE SOLE PROPERTY OF TOMLIN INDUSTRIES (2000) INC. ANY REPRODUCTION IN PART OR AS A WHOLE WITHOUT THE WRITTEN PERMISSION OF TOMLIN INDUSTRIES (2000) INC. IS PROHIBITED.

UNLESS OTHERWISE SPECIFIED:		NAME	DATE
DIMENSIONS ARE IN INCHES		DRAWN	D.S. 8/27/07
TOLERANCES:		CHECKED	
FRACTIONAL: ± 3%		ENG APPR.	
ANGULAR: ± 5%		MFG APPR.	
TWO PLACE DECIMAL: ± 3%		Q.A.	
THREE PLACE DECIMAL: ± 3%		COMMENTS:	
MATERIAL		AVAILABLE IN WHITE, BONE AND BISCUIT	
ACRYLIC SHEET			
FINISH			
DO NOT SCALE DRAWING			

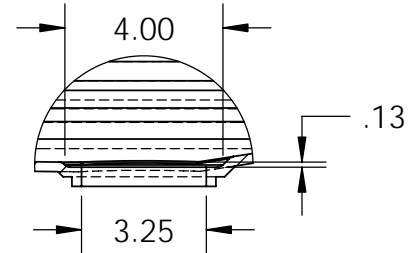
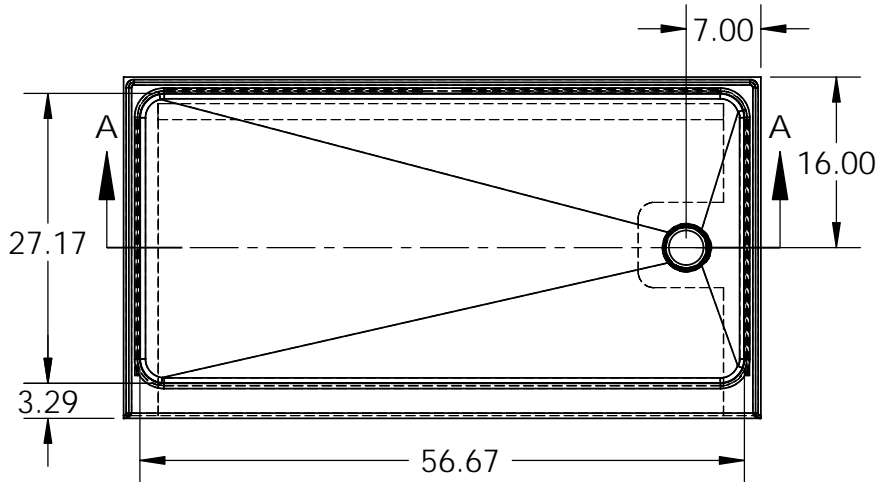
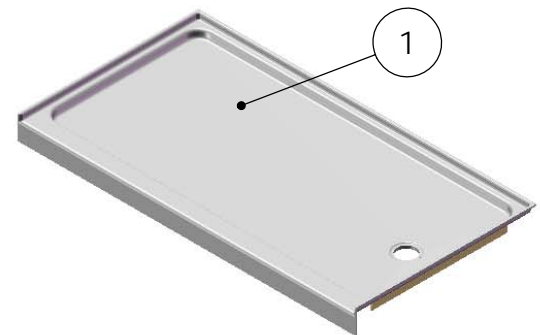
TITLE: SOHO 32 LEFT SQUARE BASE		
SIZE A	DWG. NO. 60SB32L	REV
SCALE: 1:24	WEIGHT:	SHEET 1 OF 1



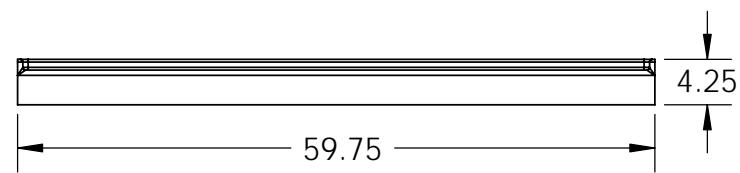
SECTION A-A
SCALE 1 : 18



ITEM NO.	PART NUMBER	QTY.
1	60SB32 - 32" SQUARE BASE RIGHT	1
2	24" SUPPORT STICK	4
3	32" WOOD SQUARE BASE RIGHT	1



DETAIL B
SCALE 1 : 5



- NOTES:
1. DIMENSION IS FROM TOP OF THRESHOLD TO THE TOP OF FIXTURE DRAIN OPENING
 2. ALL RADIUS 0.50" UNLESS OTHERWISE STATED
 3. ALL DIMENSIONS ARE APPROXIMATE AND SUBJECT TO CHANGE WITHOUT PRIOR NOTICE



PROPRIETARY AND CONFIDENTIAL
THE INFORMATION CONTAINED IN THIS DRAWING IS THE SOLE PROPERTY OF TOMLIN INDUSTRIES (2000) INC. ANY REPRODUCTION IN PART OR AS A WHOLE WITHOUT THE WRITTEN PERMISSION OF TOMLIN INDUSTRIES (2000) INC. IS PROHIBITED.

UNLESS OTHERWISE SPECIFIED: DIMENSIONS ARE IN INCHES TOLERANCES: FRACTIONAL: ± 3% ANGULAR: ± 5% TWO PLACE DECIMAL: ± 3% THREE PLACE DECIMAL: ± 3%	DRAWN	NAME	DATE	TITLE: SOHO 32 RIGHT SQUARE BASE
MATERIAL ACRYLIC SHEET	CHECKED	D.S.	8/27/07	
FINISH	ENG APPR.			
DO NOT SCALE DRAWING	MFG APPR.			
	Q.A.			
	COMMENTS: AVAILABLE IN WHITE, BONE AND BISCUIT			SIZE A
				DWG. NO. 60SB32R
				REV
				SCALE: 1:24
				WEIGHT:
				SHEET 1 OF 1