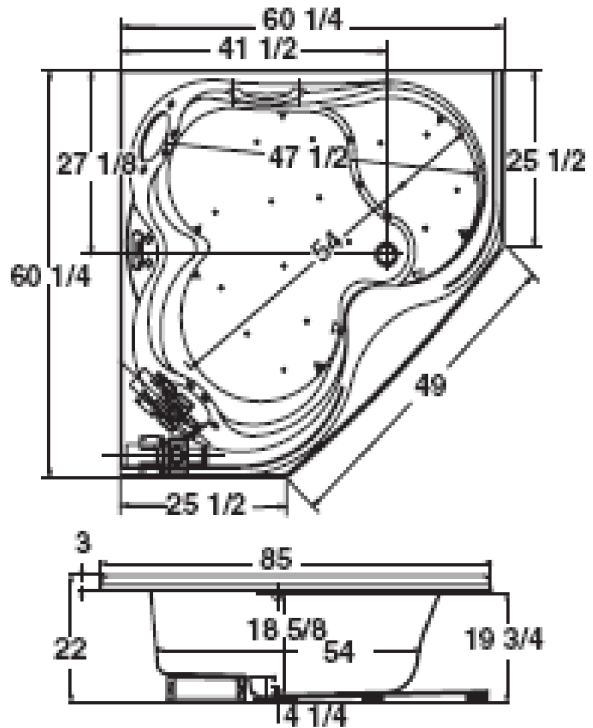


ITEM NO.	PART NUMBER	QTY.
1	60N60 - OVATION CORNER BATHTUB	1
2	WOOD 60N60	1



- NOTES:
1. ALL LARGE RADIUS 1.0" AND ALL SMALL RADIUS 0.38" UNLESS STATED OTHERWISE
 2. ALL DIMENSIONS ARE APPROXIMATE AND SUBJECT TO CHANGE WITHOUT PRIOR NOTICE



PROPRIETARY AND CONFIDENTIAL
 THE INFORMATION CONTAINED IN THIS DRAWING IS THE SOLE PROPERTY OF TOMLIN INDUSTRIES (2000) INC. ANY REPRODUCTION IN PART OR AS A WHOLE WITHOUT THE WRITTEN PERMISSION OF TOMLIN INDUSTRIES (2000) INC. IS PROHIBITED.

UNLESS OTHERWISE SPECIFIED: DIMENSIONS ARE IN INCHES TOLERANCES: FRACTIONAL: ± 3% ANGULAR: ± 5% TWO PLACE DECIMAL: ± 3% THREE PLACE DECIMAL: ± 3%		NAME	DATE	TITLE:	
MATERIAL ACRYLIC SHEET		DRAWN	D.S.	12/21/07	
FINISH		CHECKED			
DO NOT SCALE DRAWING		ENG APPR.			
		MFG APPR.			
		Q.A.			
		COMMENTS:		AVAILABLE IN WHITE, BONE AND BISCUIT	
		SIZE	DWG. NO.	REV	
		A	60N60		
		SCALE: 1:18	WEIGHT:	SHEET 1 OF 1	

OVATION CORNER BATHTUB