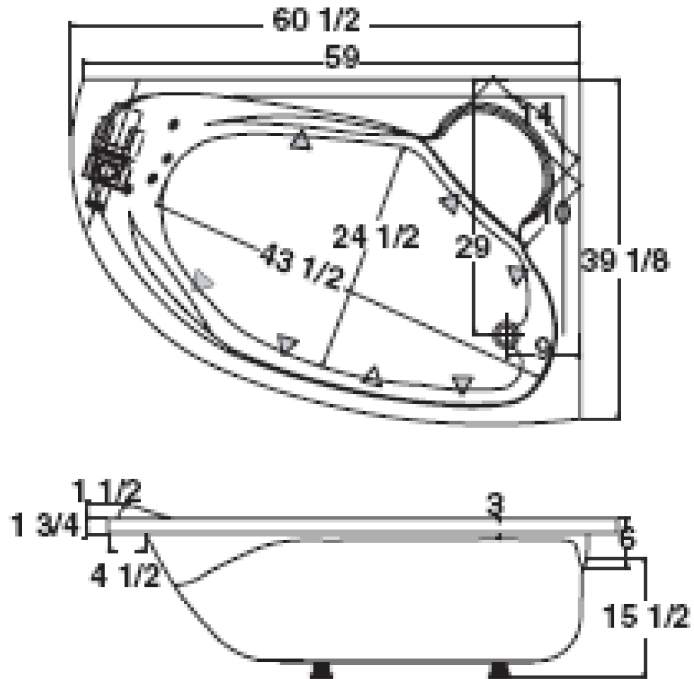


ITEM NO.	PART NUMBER	QTY.
1	60GT39 - CAYEN CORNER BATHTUB	1
2	WOOD 60GT39	1



- NOTES:
- ALL LARGE RADIUS 1.0" AND ALL SMALL RADIUS 0.38" UNLESS STATED OTHERWISE
 - ALL DIMENSIONS ARE APPROXIMATE AND SUBJECT TO CHANGE WITHOUT PRIOR NOTICE

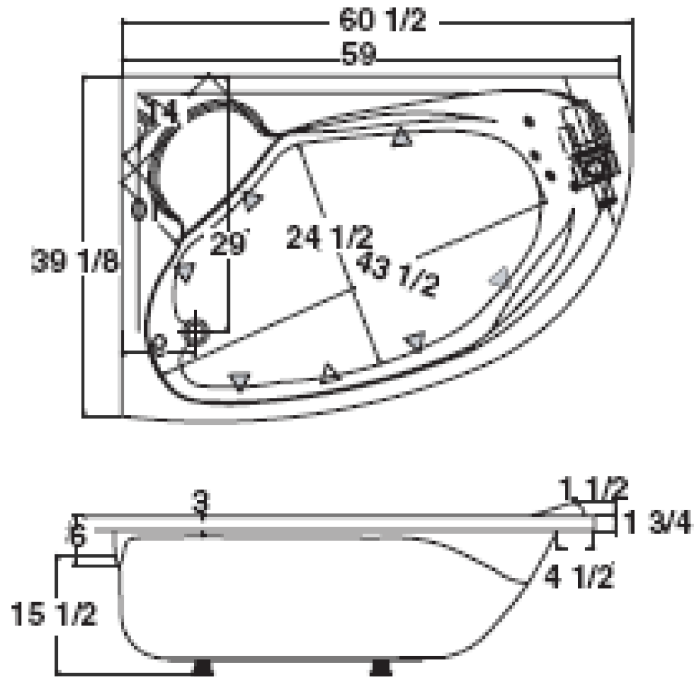


PROPRIETARY AND CONFIDENTIAL
 THE INFORMATION CONTAINED IN THIS DRAWING IS THE SOLE PROPERTY OF TOMLIN INDUSTRIES (2000) INC. ANY REPRODUCTION IN PART OR AS A WHOLE WITHOUT THE WRITTEN PERMISSION OF TOMLIN INDUSTRIES (2000) INC. IS PROHIBITED.

UNLESS OTHERWISE SPECIFIED: DIMENSIONS ARE IN INCHES TOLERANCES: FRACTIONAL: ± 3% ANGULAR: ± 5% TWO PLACE DECIMAL: ± 3% THREE PLACE DECIMAL: ± 3%	NAME	DATE
MATERIAL ACRYLIC SHEET	DRAWN D.S.	12/20/07
FINISH	CHECKED	
	ENG APPR.	
	MFG APPR.	
	Q.A.	
DO NOT SCALE DRAWING	COMMENTS: AVAILABLE IN WHITE, BONE AND BISCUIT	

TITLE: CAYEN CORNER BATHTUB		
SIZE A	DWG. NO. 60GT39	REV
SCALE: 1:18	WEIGHT:	SHEET 1 OF 1

ITEM NO.	PART NUMBER	QTY.
1	60GT39 - CAYEN CORNER BATHTUB	1
2	WOOD 60GT39	1



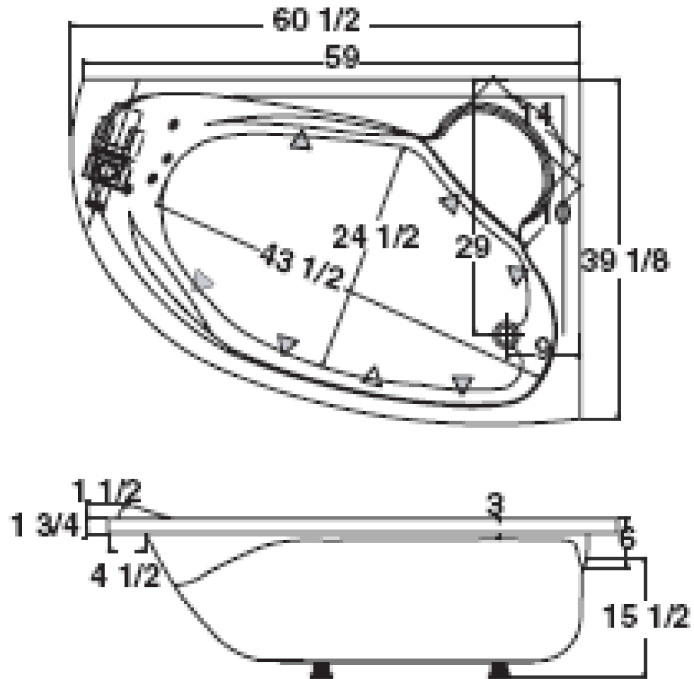
- NOTES:
1. ALL LARGE RADIUS 1.0" AND ALL SMALL RADIUS 0.38" UNLESS STATED OTHERWISE
 2. ALL DIMENSIONS ARE APPROXIMATE AND SUBJECT TO CHANGE WITHOUT PRIOR NOTICE



PROPRIETARY AND CONFIDENTIAL
 THE INFORMATION CONTAINED IN THIS DRAWING IS THE SOLE PROPERTY OF TOMLIN INDUSTRIES (2000) INC. ANY REPRODUCTION IN PART OR AS A WHOLE WITHOUT THE WRITTEN PERMISSION OF TOMLIN INDUSTRIES (2000) INC. IS PROHIBITED.

UNLESS OTHERWISE SPECIFIED: DIMENSIONS ARE IN INCHES TOLERANCES: FRACTIONAL: ± 3% ANGULAR: ± 5% TWO PLACE DECIMAL: ± 3% THREE PLACE DECIMAL: ± 3%		NAME	DATE	TITLE:	
MATERIAL ACRYLIC SHEET		DRAWN	D.S.	CAYEN LEFT CORNER BATHTUB	
FINISH		CHECKED		SIZE	DWG. NO.
DO NOT SCALE DRAWING		ENG APPR.		A	60GT39L
		MFG APPR.		SCALE: 1:18	WEIGHT:
		Q.A.		SHEET 1 OF 1	
		COMMENTS: AVAILABLE IN WHITE, BONE AND BISCUIT		REV	

ITEM NO.	PART NUMBER	QTY.
1	60GT39 - CAYEN CORNER BATHTUB	1
2	WOOD 60GT39	1



- NOTES:
- ALL LARGE RADIUS 1.0" AND ALL SMALL RADIUS 0.38" UNLESS STATED OTHERWISE
 - ALL DIMENSIONS ARE APPROXIMATE AND SUBJECT TO CHANGE WITHOUT PRIOR NOTICE



PROPRIETARY AND CONFIDENTIAL
 THE INFORMATION CONTAINED IN THIS DRAWING IS THE SOLE PROPERTY OF TOMLIN INDUSTRIES (2000) INC. ANY REPRODUCTION IN PART OR AS A WHOLE WITHOUT THE WRITTEN PERMISSION OF TOMLIN INDUSTRIES (2000) INC. IS PROHIBITED.

UNLESS OTHERWISE SPECIFIED: DIMENSIONS ARE IN INCHES TOLERANCES: FRACTIONAL: ± 3% ANGULAR: ± 5% TWO PLACE DECIMAL: ± 3% THREE PLACE DECIMAL: ± 3%	NAME	DATE	TITLE:
MATERIAL ACRYLIC SHEET	DRAWN	D.S.	12/20/07
FINISH	CHECKED		
	ENG APPR.		
	MFG APPR.		
	Q.A.		
	COMMENTS:		
DO NOT SCALE DRAWING	AVAILABLE IN WHITE, BONE AND BISCUIT		

CAYEN RIGHT CORNER BATHTUB		
SIZE	DWG. NO.	REV
A	60GT39R	
SCALE: 1:18	WEIGHT:	SHEET 1 OF 1