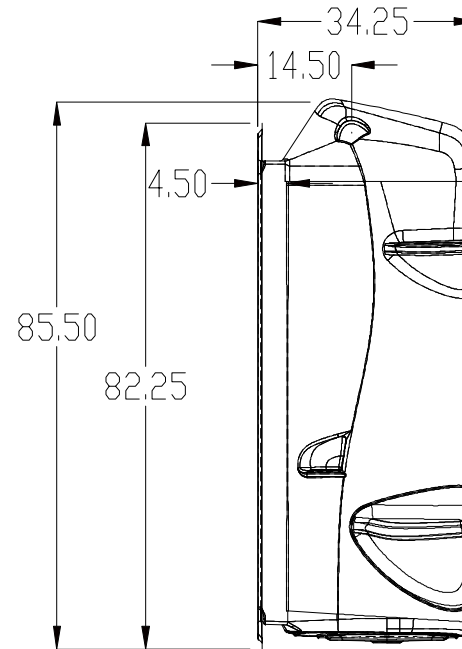
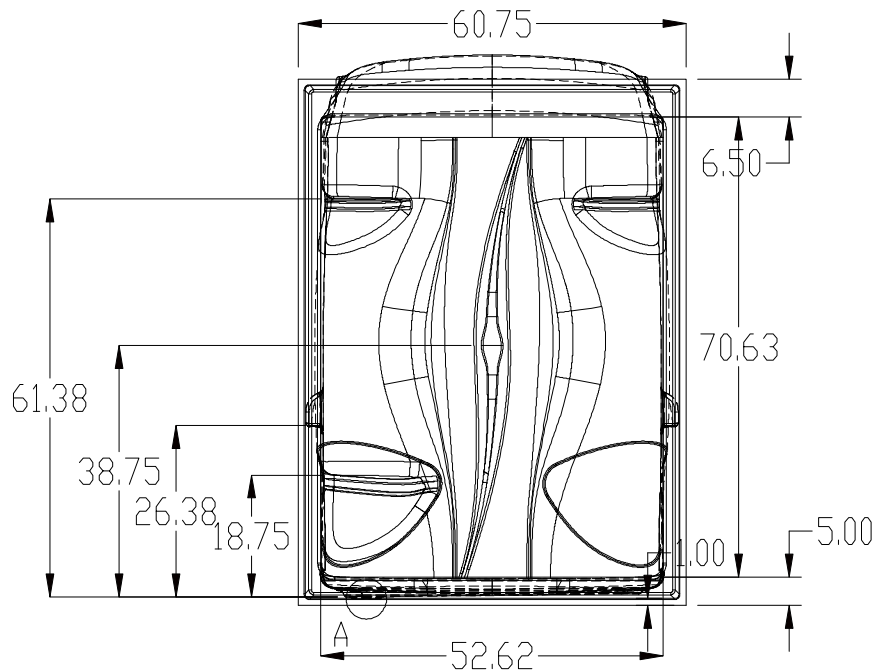
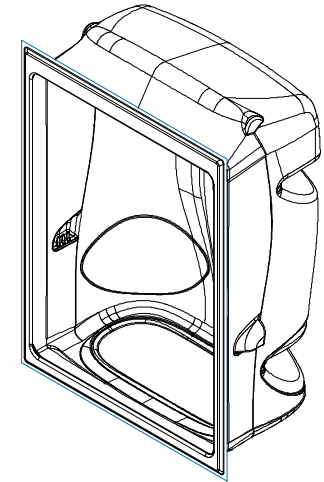


DETAIL A
SCALE 1 : 5

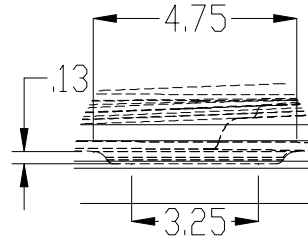
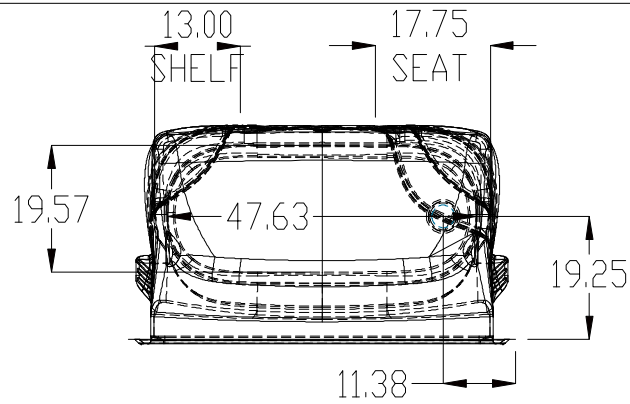


- NOTES:
1. MINIMUM SLOPE > OR = 1 DEGREE
2. ALL RADIUS 0.50" UNLESS OTHERWISE STATED
3. ALL DIMENSIONS ARE APPROXIMATE AND SUBJECT TO CHANGE WITHOUT PRIOR NOTICE

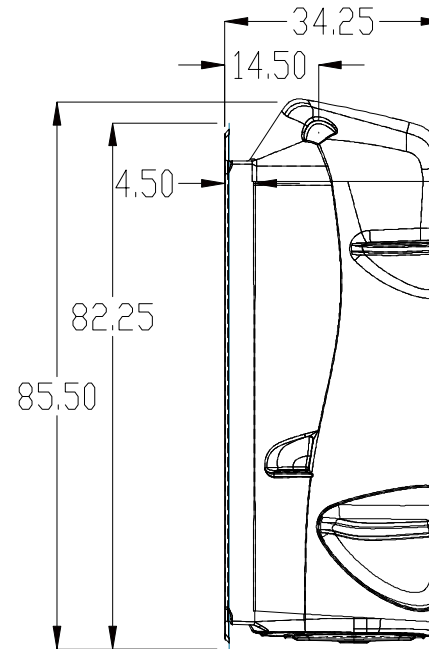
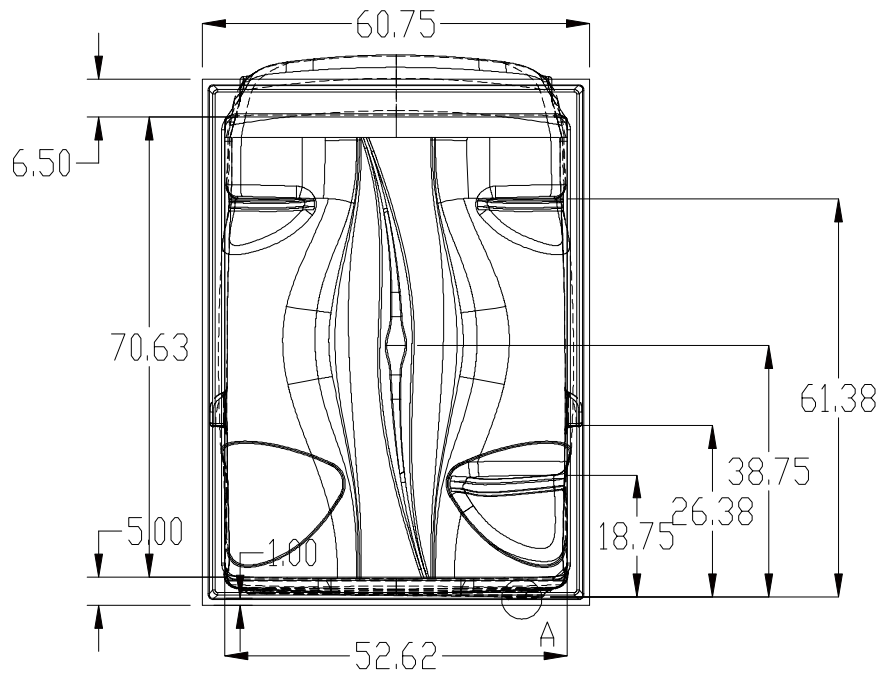
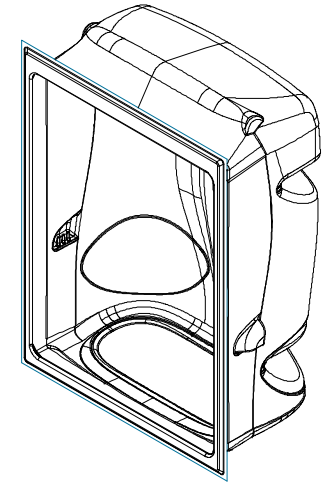


PROPRIETARY AND CONFIDENTIAL
THE INFORMATION CONTAINED IN THIS DRAWING IS THE SOLE PROPERTY OF TOMLIN INDUSTRIES (2000) INC. ANY REPRODUCTION IN PART OR AS A WHOLE WITHOUT THE WRITTEN PERMISSION OF TOMLIN INDUSTRIES (2000) INC. IS PROHIBITED.

UNLESS OTHERWISE SPECIFIED:		NAME	DATE	TITLE:	
DIMENSIONS ARE IN INCHES		DRAWN	D.S.	5' 1-PIECE	
TOLERANCES:		CHECKED		SHOWER LEFT	
FRACTIONAL: ± 3%		ENG APPR.		SIZE	DWG. NO.
ANGULAR: ± 5%		MFG APPR.		A	60341PL
TWO PLACE DECIMAL: ± 3%		Q.A.		SCALE: 1:30	WEIGHT:
THREE PLACE DECIMAL: ± 3%		COMMENTS:			SHEET 1 OF 1
MATERIAL	ACRYLIC				
FINISH					
DO NOT SCALE DRAWING					



DETAIL A
SCALE 1 : 5

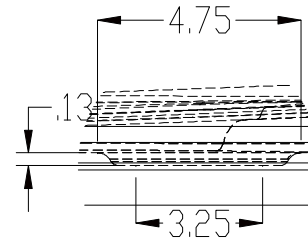
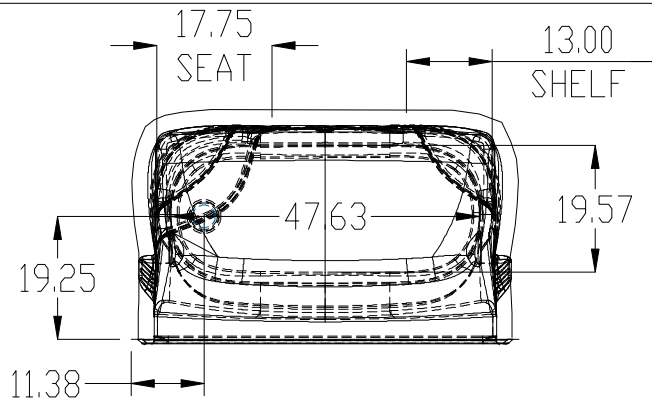


- NOTES:
1. MINIMUM SLOPE > OR = 1 DEGREE
2. ALL RADIUS 0.50" UNLESS OTHERWISE STATED
3. ALL DIMENSIONS ARE APPROXIMATE AND SUBJECT TO CHANGE WITHOUT PRIOR NOTICE

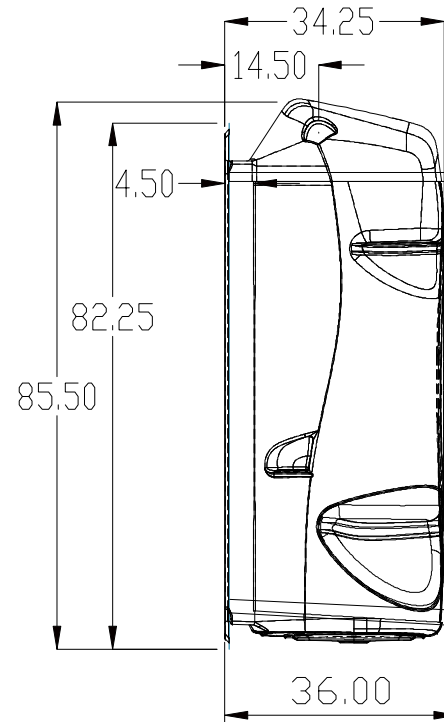
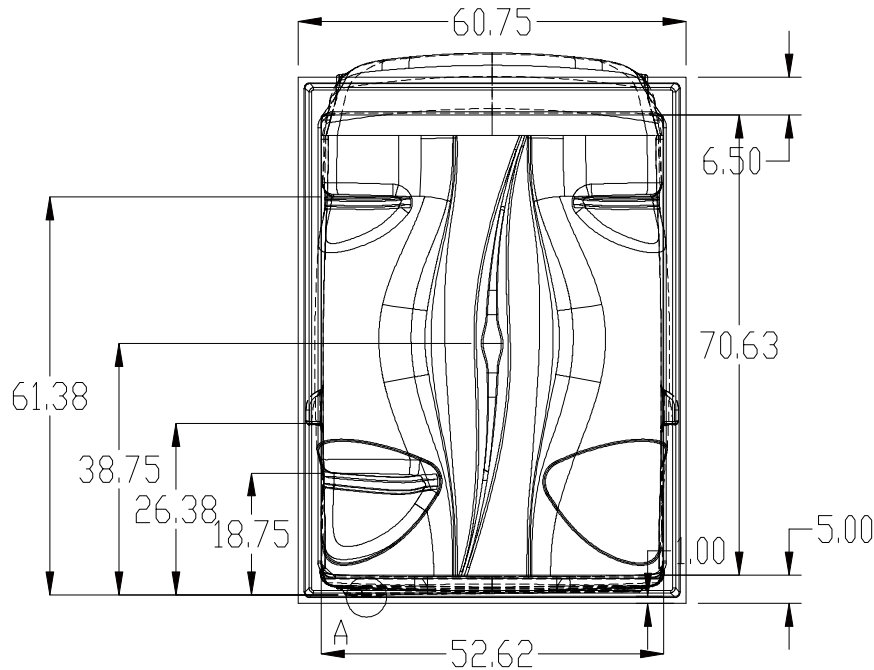
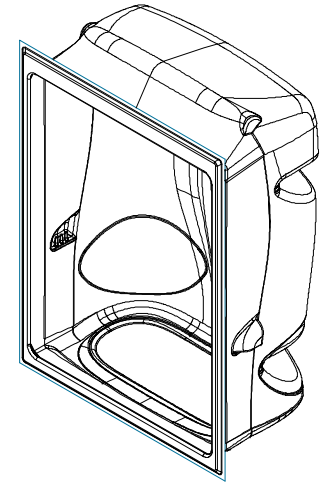


PROPRIETARY AND CONFIDENTIAL
THE INFORMATION CONTAINED IN THIS DRAWING IS THE SOLE PROPERTY OF TOMLIN INDUSTRIES (2000) INC. ANY REPRODUCTION IN PART OR AS A WHOLE WITHOUT THE WRITTEN PERMISSION OF TOMLIN INDUSTRIES (2000) INC. IS PROHIBITED.

UNLESS OTHERWISE SPECIFIED: DIMENSIONS ARE IN INCHES TOLERANCES: FRACTIONAL: ± 3% ANGULAR: ± 5% TWO PLACE DECIMAL: ± 3% THREE PLACE DECIMAL: ± 3%		NAME	DATE	TITLE:	
MATERIAL	FINISH	DRAWN	D.S.	2/3/10	5' 1-PIECE SHOWER RIGHT
ACRYLIC		CHECKED			
		ENG APPR.			SIZE DWG. NO.
		MFG APPR.			A 60341PR
		Q.A.			REV
		COMMENTS:			
DO NOT SCALE DRAWING					SCALE: 1:30 WEIGHT: SHEET 1 OF 1



DETAIL A
SCALE 1 : 5



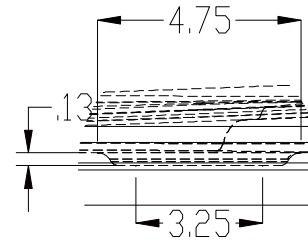
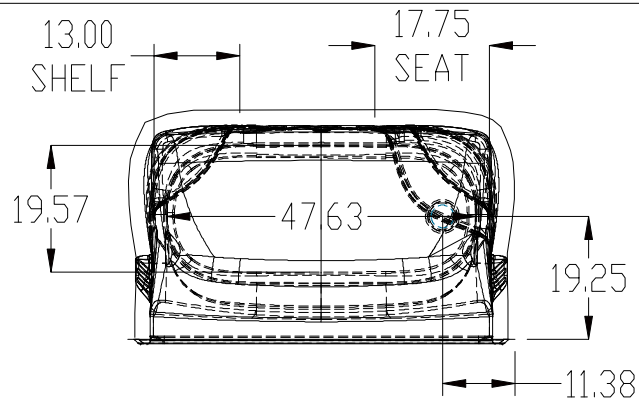
- NOTES:
 1. MINIMUM SLOPE > OR = 1 DEGREE
 2. ALL RADIUS 0.50" UNLESS OTHERWISE STATED
 3. ALL DIMENSIONS ARE APPROXIMATE AND SUBJECT TO CHANGE WITHOUT PRIOR NOTICE



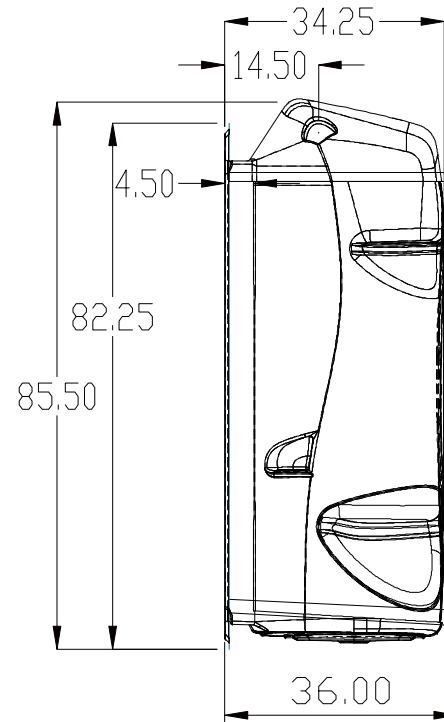
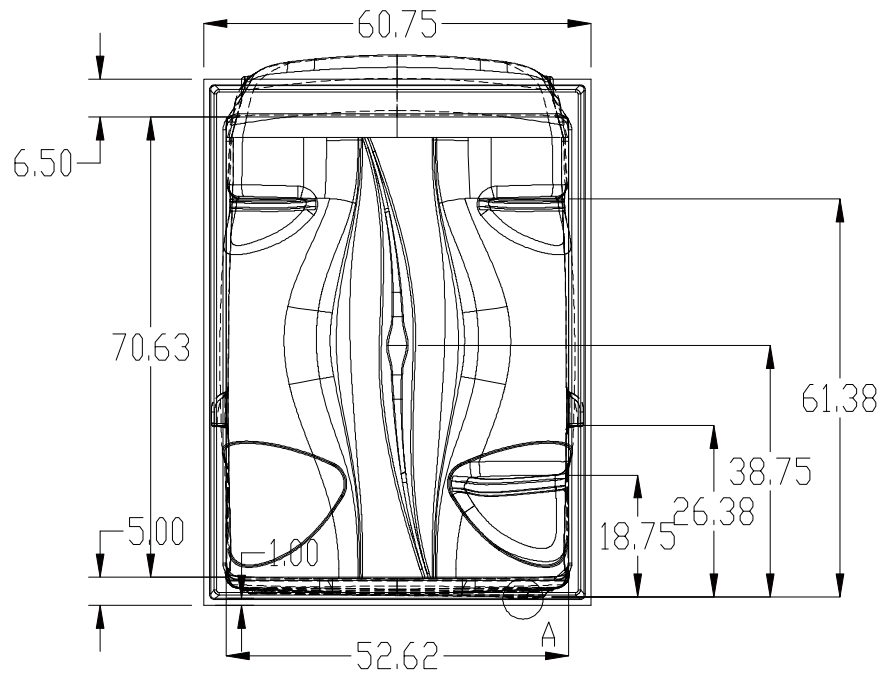
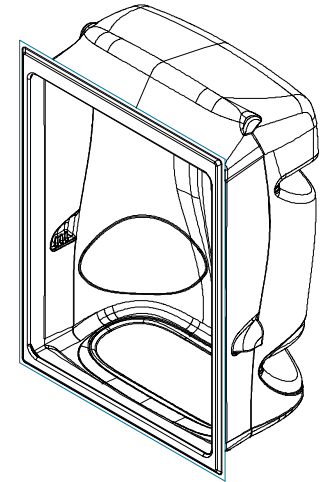
PROPRIETARY AND CONFIDENTIAL
 THE INFORMATION CONTAINED IN THIS DRAWING IS THE SOLE PROPERTY OF TOMLIN INDUSTRIES (2000) INC. ANY REPRODUCTION IN PART OR AS A WHOLE WITHOUT THE WRITTEN PERMISSION OF TOMLIN INDUSTRIES (2000) INC. IS PROHIBITED.

UNLESS OTHERWISE SPECIFIED:		NAME	DATE
DIMENSIONS ARE IN INCHES		DRAWN	D.S.
TOLERANCES:		CHECKED	2/3/10
FRACTIONAL: ± 3%		ENG APPR.	
ANGULAR: ± 5%		MFG APPR.	
TWO PLACE DECIMAL: ± 3%		Q.A.	
THREE PLACE DECIMAL: ± 3%		COMMENTS:	
MATERIAL	ACRYLIC		
FINISH			
DO NOT SCALE DRAWING			

TITLE:		
5' 3-PIECE SHOWER LEFT		
SIZE	DWG. NO.	REV
A	60343PL	
SCALE: 1:30	WEIGHT:	SHEET 1 OF 1



DETAIL A
SCALE 1 : 5



NOTES:
 1. MINIMUM SLOPE > OR = 1 DEGREE
 2. ALL RADIUS 0.50" UNLESS OTHERWISE STATED
 3. ALL DIMENSIONS ARE APPROXIMATE AND SUBJECT TO CHANGE WITHOUT PRIOR NOTICE



PROPRIETARY AND CONFIDENTIAL
 THE INFORMATION CONTAINED IN THIS DRAWING IS THE SOLE PROPERTY OF TOMLIN INDUSTRIES (2000) INC. ANY REPRODUCTION IN PART OR AS A WHOLE WITHOUT THE WRITTEN PERMISSION OF TOMLIN INDUSTRIES (2000) INC. IS PROHIBITED.

UNLESS OTHERWISE SPECIFIED:		NAME	DATE
DIMENSIONS ARE IN INCHES		DRAWN	D.S.
TOLERANCES:		CHECKED	2/3/10
FRACTIONAL: ± 3%		ENG APPR.	
ANGULAR: ± 5%		MFG APPR.	
TWO PLACE DECIMAL: ± 3%		Q.A.	
THREE PLACE DECIMAL: ± 3%		COMMENTS:	
MATERIAL	ACRYLIC		
FINISH			
DO NOT SCALE DRAWING			

TITLE:		
5' 3-PIECE SHOWER RIGHT		
SIZE	DWG. NO.	REV
A	60343PR	
SCALE: 1:30	WEIGHT:	SHEET 1 OF 1