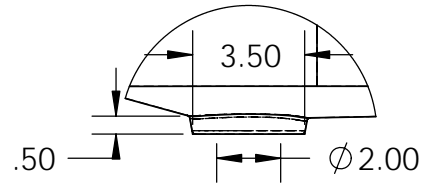
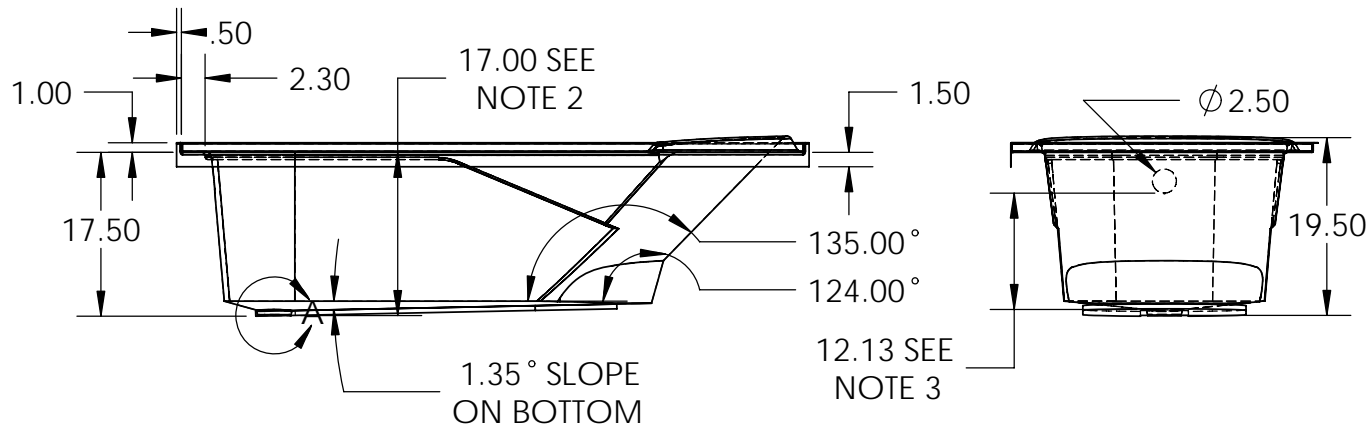


ITEM NO.	PART NUMBER	QTY.
1	55CT32L - 5.5' SPECTRUM II LEFT 3-WALL BATHTUB	1
2	WOOD 55CT32	1



DETAIL A
SCALE 1 : 6



NOTES:

1. ALL LARGE RADIUS 1.5" AND ALL SMALL RADIUS 0.50" UNLESS STATED OTHERWISE
2. DIMENSION IS FROM TOP OF THRESHOLD TO THE TOP OF FIXTURE DRAIN OPENING
3. DIMENSION IS FROM BOTTOM OF OVERFLOW TO THE LOWEST POINT IN BATHING WELL
4. ALL DIMENSIONS ARE APPROXIMATE AND SUBJECT TO CHANGE WITHOUT PRIOR NOTICE

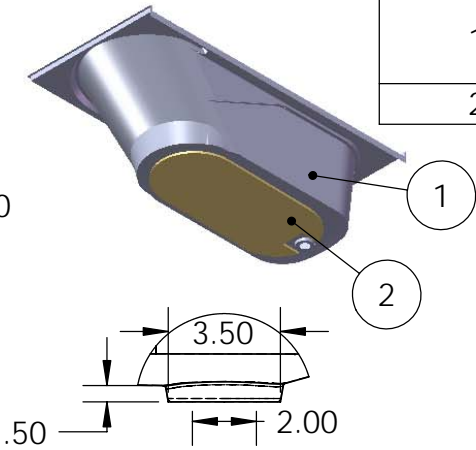
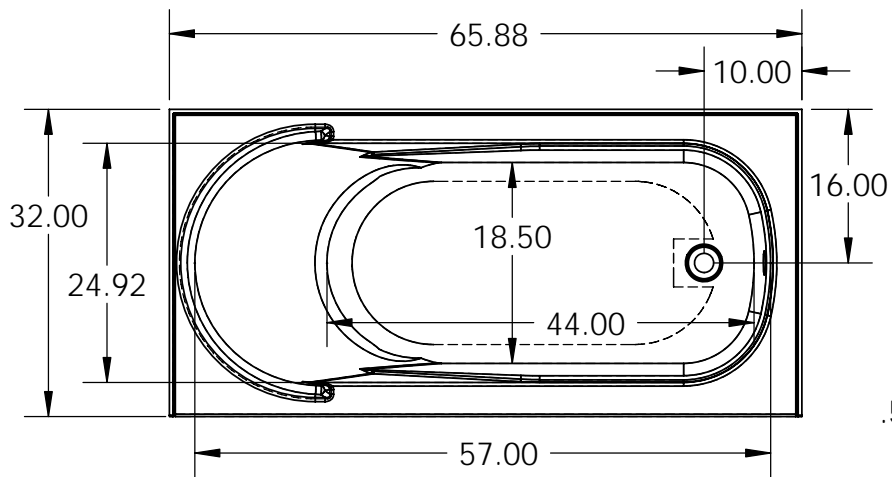


PROPRIETARY AND CONFIDENTIAL
THE INFORMATION CONTAINED IN THIS DRAWING IS THE SOLE PROPERTY OF TOMLIN INDUSTRIES (2000) INC. ANY REPRODUCTION IN PART OR AS A WHOLE WITHOUT THE WRITTEN PERMISSION OF TOMLIN INDUSTRIES (2000) INC. IS PROHIBITED.

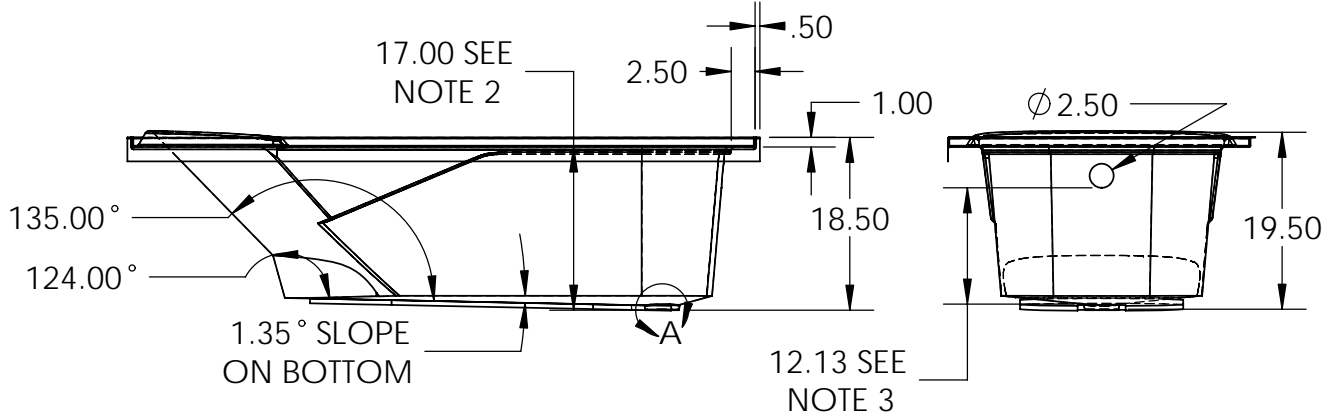
UNLESS OTHERWISE SPECIFIED: DIMENSIONS ARE IN INCHES TOLERANCES: FRACTIONAL: ± 3% ANGULAR: ± 5% TWO PLACE DECIMAL: ± 3% THREE PLACE DECIMAL: ± 3%	DRAWN	NAME	DATE
MATERIAL ACRYLIC SHEET	CHECKED	D.S.	10/1/07
FINISH	ENG APPR.		
DO NOT SCALE DRAWING	MFG APPR.		
	Q.A.		
	COMMENTS: AVAILABLE IN WHITE, BONE AND BISCUIT		

TITLE: 5.5' SPECTRUM 3-WALL LEFT TUB		
SIZE A	DWG. NO. 55CT32L	REV
SCALE: 1:20	WEIGHT:	SHEET 1 OF 1

ITEM NO.	PART NUMBER	QTY.
1	55CT32R - 5.5' SPECTRUM II RIGHT 3- WALL BATHTUB	1
2	WOOD 55CT32	1



DETAIL A
SCALE 1 : 6



- NOTES:
1. ALL LARGE RADUIS 1.5" AND ALL SMALL RADIUS 0.50" UNLESS OTHERWISE STATED
 2. DIMENSION IS FROM TOP OF THRESHOLD TO THE TOP OF FIXTURE DRAIN OPENING
 3. DIMENSION IS FROM BOTTOM OF OVERFLOW TO THE LOWEST POINT IN BATHING WELL
 4. ALL DIMENSIONS ARE APPROXIMATE AND SUBJECT TO CHANGE WITHOUT PRIOR NOTICE



PROPRIETARY AND CONFIDENTIAL
THE INFORMATION CONTAINED IN THIS DRAWING IS THE SOLE PROPERTY OF TOMLIN INDUSTRIES (2000) INC. ANY REPRODUCTION IN PART OR AS A WHOLE WITHOUT THE WRITTEN PERMISSION OF TOMLIN INDUSTRIES (2000) INC. IS PROHIBITED.

UNLESS OTHERWISE SPECIFIED: DIMENSIONS ARE IN INCHES TOLERANCES: FRACTIONAL: ± 3% ANGULAR: ± 5% TWO PLACE DECIMAL: ± 3% THREE PLACE DECIMAL: ± 3%	DRAWN	NAME	DATE
	CHECKED	D.S.	10/1/07
	ENG APPR.		
	MFG APPR.		
	Q.A.		
MATERIAL ACRYLIC SHEET	COMMENTS: AVAILABLE IN WHITE, BONE AND BISCUIT		
FINISH			
DO NOT SCALE DRAWING			

TITLE: 5.5' SPECTRUM 3-WALL RIGHT TUB		
SIZE A	DWG. NO. 55CT32R	REV
SCALE: 1:20	WEIGHT:	SHEET 1 OF 1