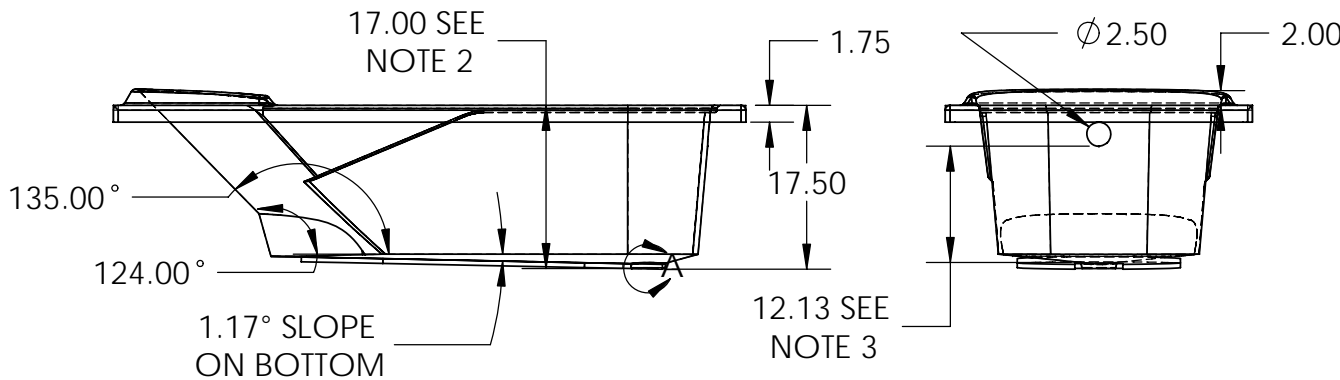
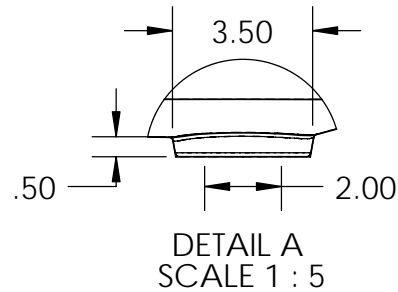
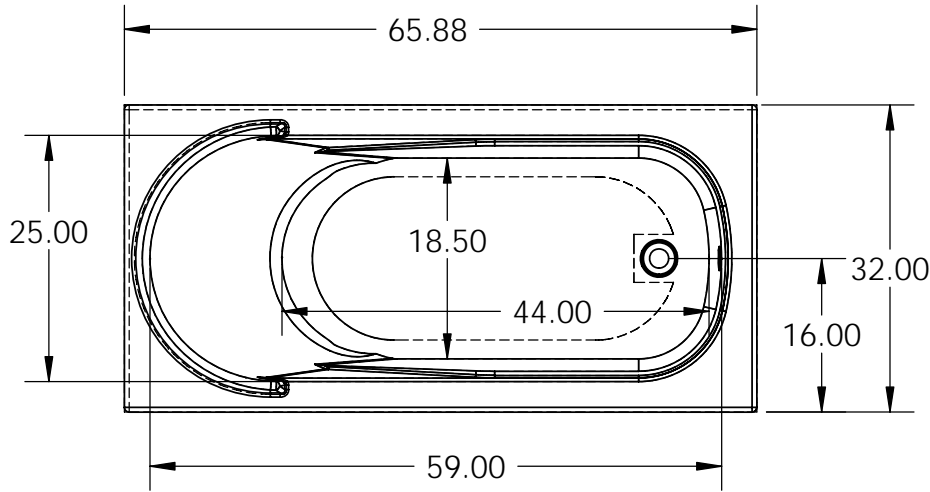
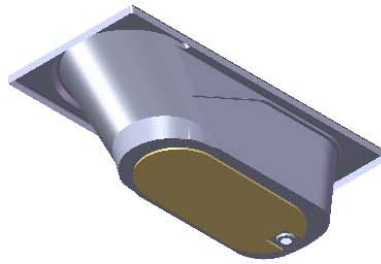


ITEM NO.	PART NUMBER	QTY.
1	55CT32 - 5.5' SPECTRUM II DROP-IN BATHTUB	1
2	WOOD 55CT32	1



NOTES:

1. ALL LARGE RADIUS 1.5" AND ALL SMALL RADIUS 0.50"
2. UNLESS OTHERWISE STATED DIMENSION IS FROM TOP OF THRESHOLD TO THE TOP OF FIXTURE DRAIN OPENING
3. DIMENSION IS FROM BOTTOM OF OVERFLOW TO THE LOWEST POINT IN BATHING WELL
4. ALL DIMENSIONS ARE APPROXIMATE AND ARE SUBJECT TO CHANGE WITHOUT PRIOR NOTICE



PROPRIETARY AND CONFIDENTIAL
 THE INFORMATION CONTAINED IN THIS DRAWING IS THE SOLE PROPERTY OF TOMLIN INDUSTRIES (2000) INC. ANY REPRODUCTION IN PART OR AS A WHOLE WITHOUT THE WRITTEN PERMISSION OF TOMLIN INDUSTRIES (2000) INC. IS PROHIBITED.

UNLESS OTHERWISE SPECIFIED: DIMENSIONS ARE IN INCHES TOLERANCES: FRACTIONAL: ± 3% ANGULAR: ± 5% TWO PLACE DECIMAL: ± 3% THREE PLACE DECIMAL: ± 3%	DRAWN	NAME	DATE
MATERIAL ACRYLIC SHEET	CHECKED	D.S.	9/26/07
FINISH	ENG APPR.		
DO NOT SCALE DRAWING	MFG APPR.		
	Q.A.		
	COMMENTS: AVAILABLE IN WHITE, BONE AND BISCUIT		

TITLE: 5.5' SPECTRUM II DROP-IN BATHTUB		
SIZE A	DWG. NO. 55CT32	REV
SCALE: 1:20	WEIGHT:	SHEET 1 OF 1