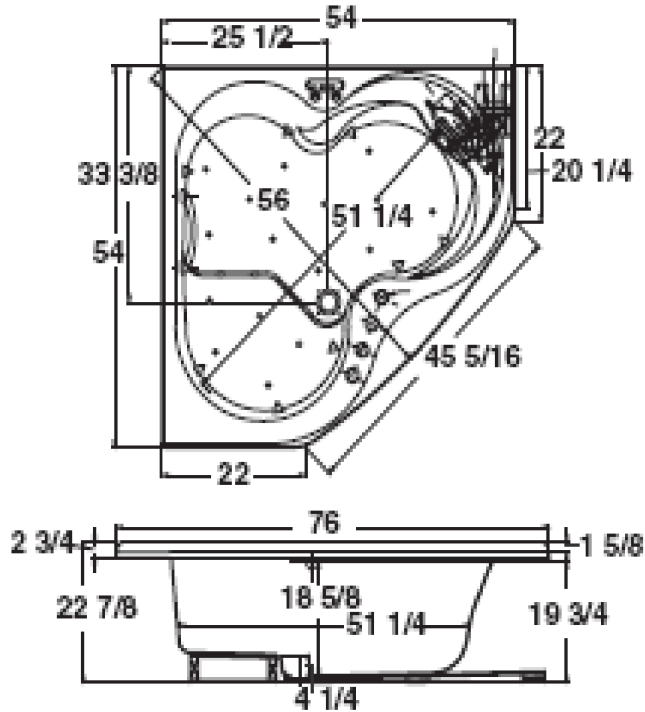


ITEM NO.	PART NUMBER	QTY.
1	54N54 - SANTE FE CORNER BATHTUB	1
2	WOOD 54N54	1



- NOTES:
1. ALL LARGE RADIUS 1.0" AND ALL SMALL RADIUS 0.38" UNLESS STATED OTHERWISE
  2. ALL DIMENSIONS ARE APPROXIMATE AND SUBJECT TO CHANGE WITHOUT PRIOR NOTICE



**PROPRIETARY AND CONFIDENTIAL**  
 THE INFORMATION CONTAINED IN THIS DRAWING IS THE SOLE PROPERTY OF TOMLIN INDUSTRIES (2000) INC. ANY REPRODUCTION IN PART OR AS A WHOLE WITHOUT THE WRITTEN PERMISSION OF TOMLIN INDUSTRIES (2000) INC. IS PROHIBITED.

UNLESS OTHERWISE SPECIFIED: DIMENSIONS ARE IN INCHES TOLERANCES: FRACTIONAL: ± 3% ANGULAR: ± 5% TWO PLACE DECIMAL: ± 3% THREE PLACE DECIMAL: ± 3%		NAME	DATE	TITLE:	
MATERIAL	ACRYLIC SHEET	DRAWN	D.S.	12/21/07	<b>SANTE FE CORNER BATHTUB</b>
FINISH		CHECKED			
		ENG APPR.			
		MFG APPR.			
DO NOT SCALE DRAWING		COMMENTS:	AVAILABLE IN WHITE, BONE AND BISCUIT		
		Q.A.	SIZE <b>A</b> DWG. NO. <b>54N54</b>		REV
		SCALE: 1:18		WEIGHT:	SHEET 1 OF 1