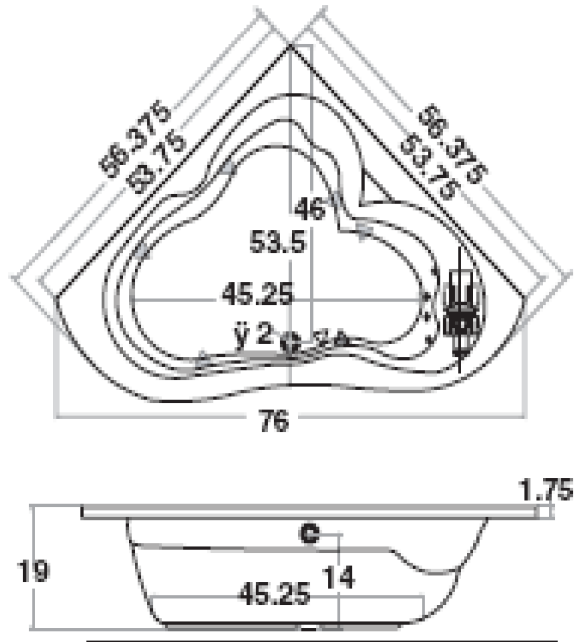


ITEM NO.	PART NUMBER	QTY.
1	54GT54 - INDIGO CORNER BATHTUB	1
2	WOOD 54GT54	1



- NOTES:
- ALL LARGE RADIUS 1.0" AND ALL SMALL RADIUS 0.38" UNLESS STATED OTHERWISE
 - ALL DIMENSIONS ARE APPROXIMATE AND SUBJECT TO CHANGE WITHOUT PRIOR NOTICE



PROPRIETARY AND CONFIDENTIAL
 THE INFORMATION CONTAINED IN THIS DRAWING IS THE SOLE PROPERTY OF TOMLIN INDUSTRIES (2000) INC. ANY REPRODUCTION IN PART OR AS A WHOLE WITHOUT THE WRITTEN PERMISSION OF TOMLIN INDUSTRIES (2000) INC. IS PROHIBITED.

UNLESS OTHERWISE SPECIFIED: DIMENSIONS ARE IN INCHES TOLERANCES: FRACTIONAL: ± 3% ANGULAR: ± 5% TWO PLACE DECIMAL: ± 3% THREE PLACE DECIMAL: ± 3%	DRAWN	NAME	DATE
MATERIAL ACRYLIC SHEET	CHECKED	D.S.	12/20/07
FINISH	ENG APPR.		
	MFG APPR.		
	Q.A.		
DO NOT SCALE DRAWING	COMMENTS: AVAILABLE IN WHITE, BONE AND BISCUIT		

TITLE: INDIGO CORNER BATHTUB		
SIZE A	DWG. NO. 54GT54	REV
SCALE: 1:18	WEIGHT:	SHEET 1 OF 1