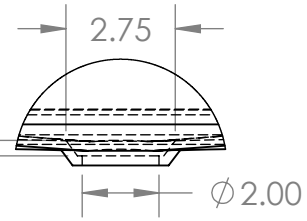
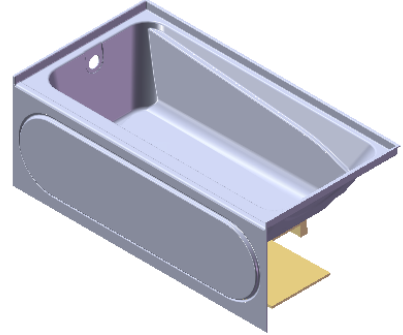
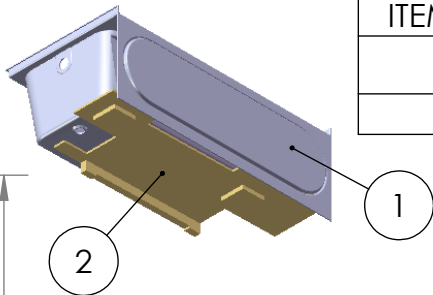
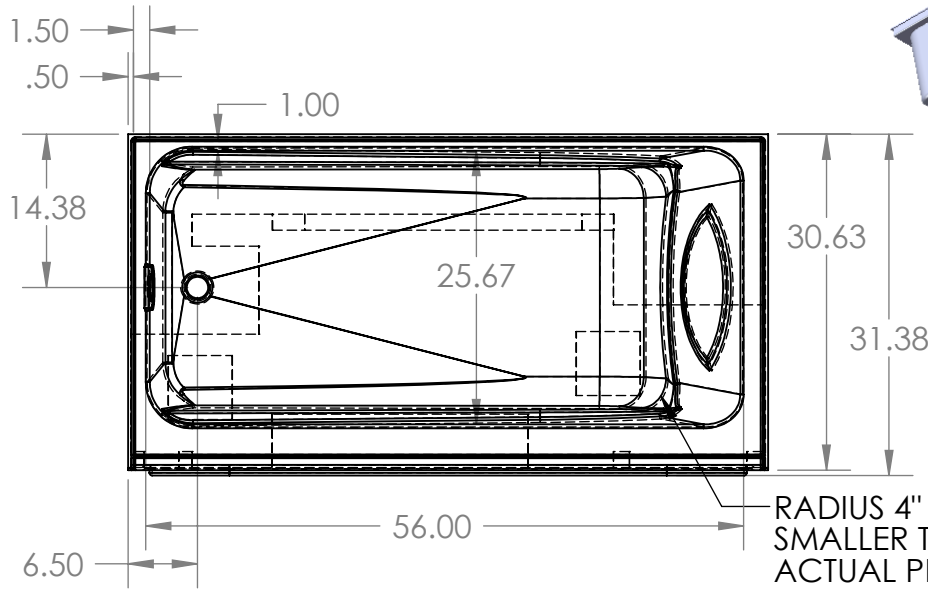


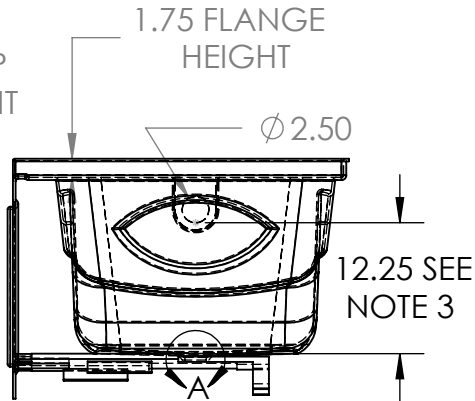
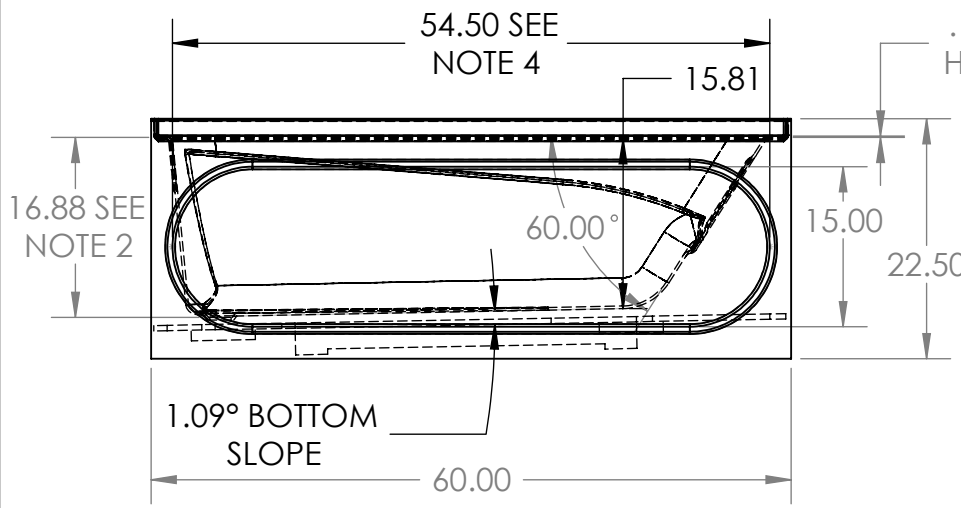
| ITEM NO. | PART NUMBER                                  | QTY. |
|----------|--|------|
| 1        | 50NT31L - 5' ILLUSION<br>3-WALL LEFT BATHTUB | 1    |
| 2        | WOOD 50NT31 LEFT                             | 1    |



RADIUS 4" APPEARS SMALLER THAN ACTUAL PRODUCT

DETAIL A  
SCALE 1 : 5

- NOTES:
1. ALL LARGE RADIUS 0.50" AND ALL SMALL RADIUS 0.13" UNLESS OTHERWISE STATED
  2. DIMENSION IS FROM TOP OF THRESHOLD TO THE TOP OF FIXTURE DRAIN OPENING
  3. DIMENSION IS FROM BOTTOM OF OVERFLOW TO LOWEST POINT IN BATHING WELL
  4. DIMENSION IS THE SIZE OF REMOVABLE ACCESS PANNEL WHEN EQUIPED WITH A PUMP SYSTEM
  5. ALL DIMENSIONS ARE APPROXIMATE AND SUBJECT TO CHANGE WITHOUT PRIOR NOTICE

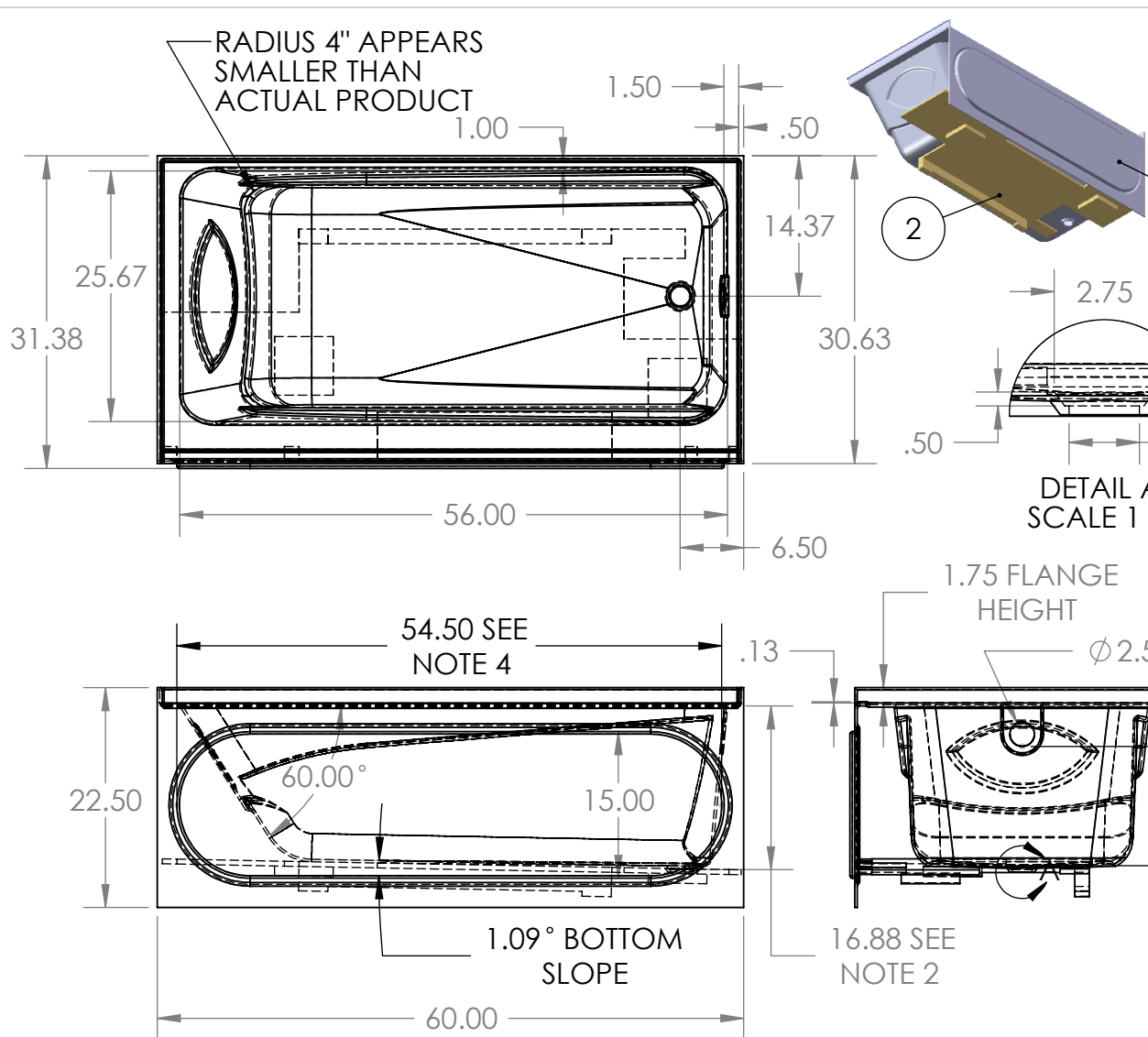


**PROPRIETARY AND CONFIDENTIAL**  
THE INFORMATION CONTAINED IN THIS DRAWING IS THE SOLE PROPERTY OF TOMLIN INDUSTRIES (2000) INC. ANY REPRODUCTION IN PART OR AS A WHOLE WITHOUT THE WRITTEN PERMISSION OF TOMLIN INDUSTRIES (2000) INC. IS PROHIBITED.

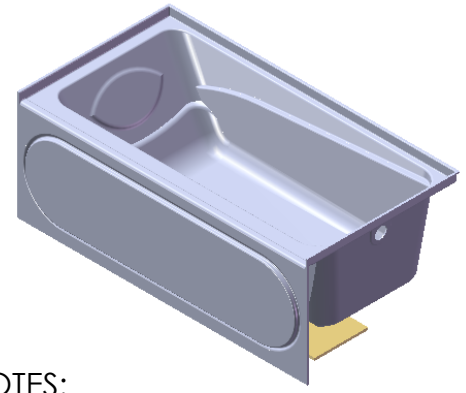
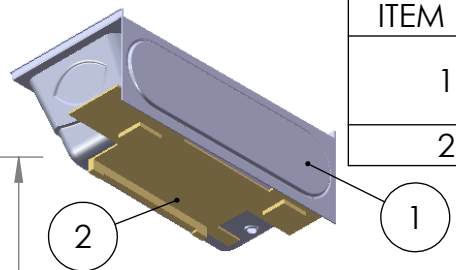
|   |  |         |
|---|--|---------|
| UNLESS OTHERWISE SPECIFIED:<br>DIMENSIONS ARE IN INCHES<br>TOLERANCES:<br>FRACTIONAL: ± 3%<br>ANGULAR: ± 5%<br>TWO PLACE DECIMAL: ± 3%<br>THREE PLACE DECIMAL: ± 3% | NAME   | DATE    |
| MATERIAL<br>ACRYLIC SHEET   | DRAWN<br>D.S.  | 1/15/08 |
| FINISH  | CHECKED  |         |
|   | ENG APPR.  |         |
|   | MFG APPR.  |         |
|   | Q.A.   |         |
| DO NOT SCALE DRAWING  | COMMENTS:<br>AVAILABLE IN WHITE,<br>BONE AND BISCUIT |         |

|  |                            |              |
|--|----------------------------|--------------|
| TITLE:<br><b>5' ILLUSION LEFT<br/>3-WALL BATHTUB</b> |                            |              |
| SIZE<br><b>A</b>                                     | DWG. NO.<br><b>50NT31L</b> | REV          |
| SCALE: 1:18  | WEIGHT:                    | SHEET 1 OF 1 |





| ITEM NO. | PART NUMBER                                | QTY. |
|----------|--|------|
| 1        | 50NT31R - 5' ILLUSION 3-WALL RIGHT BATHTUB | 1    |
| 2        | WOOD 50NT31 RIGHT                          | 1    |



- NOTES:
1. ALL LARGE RADIUS 0.50" AND ALL SMALL RADIUS 0.13" UNLESS OTHERWISE STATED
  2. DIMENSION IS FROM TOP OF THRESHOLD TO THE TOP OF FIXTURE DRAIN OPENING
  3. DIMENSION IS FROM BOTTOM OF OVERFLOW TO THE LOWEST POINT IN BATHING WELL
  4. DIMENSION IS THE SIZE OF REMOVABLE ACCESS PANNEL WHEN EQUIPED WITH A PUMP SYSTEM
  5. ALL DIMENSIONS ARE APPROXIMATE AND SUBJECT TO CHANGE WITHOUT PRIOR NOTICE



**PROPRIETARY AND CONFIDENTIAL**  
 THE INFORMATION CONTAINED IN THIS DRAWING IS THE SOLE PROPERTY OF TOMLIN INDUSTRIES (2000) INC. ANY REPRODUCTION IN PART OR AS A WHOLE WITHOUT THE WRITTEN PERMISSION OF TOMLIN INDUSTRIES (2000) INC. IS PROHIBITED.

|   |  |      |         |
|---|--|------|---------|
| UNLESS OTHERWISE SPECIFIED:<br>DIMENSIONS ARE IN INCHES<br>TOLERANCES:<br>FRACTIONAL: ± 3%<br>ANGULAR: ± 5%<br>TWO PLACE DECIMAL: ± 3%<br>THREE PLACE DECIMAL: ± 3% | DRAWN  | NAME | DATE    |
| MATERIAL<br>ACRYLIC SHEET   | CHECKED  | D.S. | 1/15/08 |
| FINISH  | ENG APPR.  |      |         |
| DO NOT SCALE DRAWING  | MFG APPR.  |      |         |
|   | Q.A.   |      |         |
|   | COMMENTS:<br>AVAILABLE IN WHITE,<br>BONE AND BISCUIT |      |         |

|   |                            |              |
|---|----------------------------|--------------|
| TITLE:<br><b>5' ILLUSION RIGHT 3-WALL BATHTUB</b> |                            |              |
| SIZE<br><b>A</b>                                  | DWG. NO.<br><b>50NT31R</b> | REV          |
| SCALE: 1:18                                       | WEIGHT:                    | SHEET 1 OF 1 |