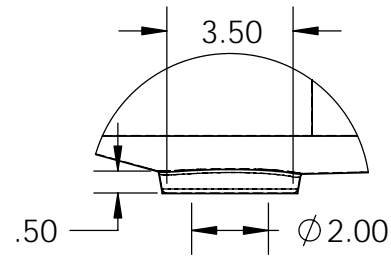
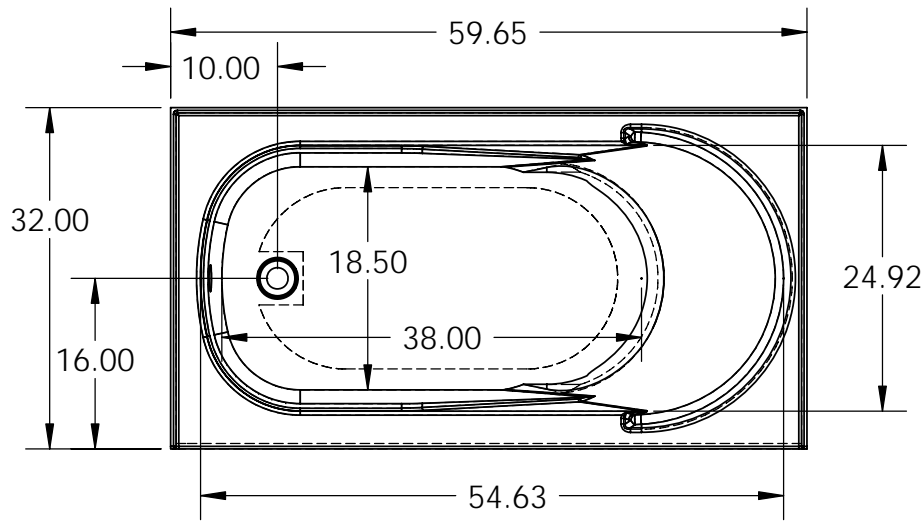
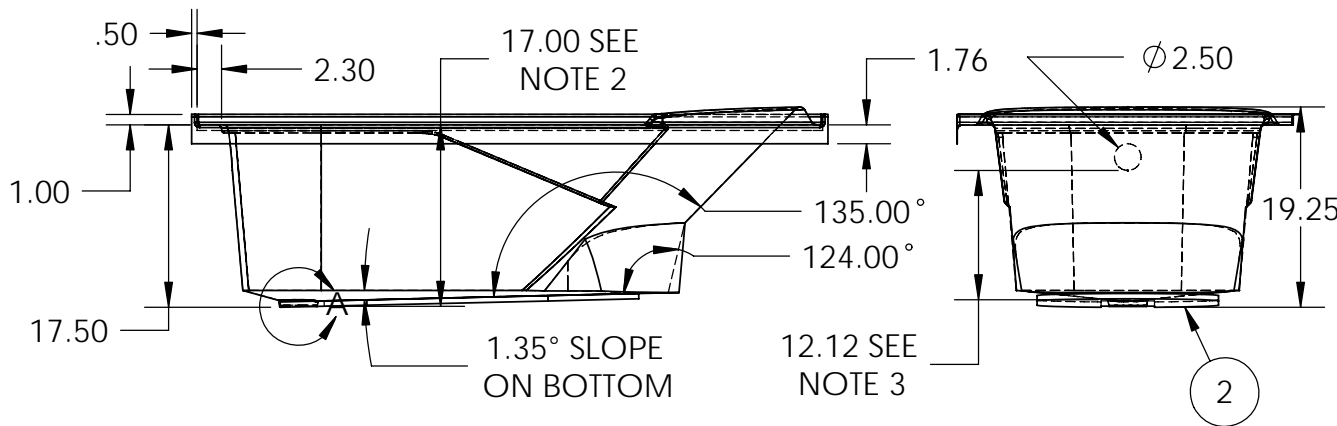


ITEM NO.	PART NUMBER	QTY.
1	50CT32L - 5' SPECTRUM 3-WALL LEFT BATHTUB	1
2	WOOD 50CT32	1



DETAIL A  
SCALE 1 : 5



NOTES:

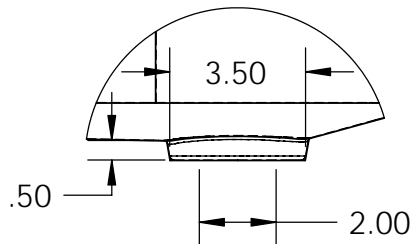
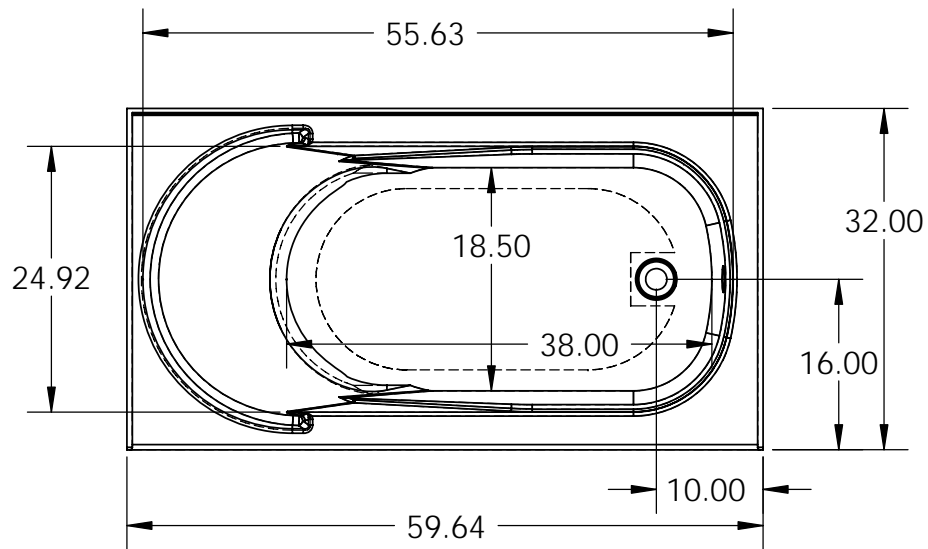
1. ALL LARGE RADIUS 1.5" AND ALL SMALL RADIUS 0.50" UNLESS OTHERWISE STATED
2. DIMENSION IS FROM TOP OF THRESHOLD TO THE TOP OF FIXTURE DRAIN OPENING
3. DIMENSION IS FROM BOTTOM OF OVERFLOW TO THE LOWEST POINT IN BATHING WELL
4. ALL DIMENSIONS ARE APPROXIMATE AND SUBJECT TO CHANGE WITHOUT PRIOR NOTICE



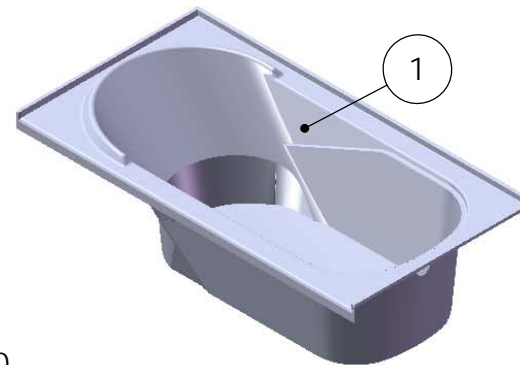
**PROPRIETARY AND CONFIDENTIAL**  
THE INFORMATION CONTAINED IN THIS DRAWING IS THE SOLE PROPERTY OF TOMLIN INDUSTRIES (2000) INC. ANY REPRODUCTION IN PART OR AS A WHOLE WITHOUT THE WRITTEN PERMISSION OF TOMLIN INDUSTRIES (2000) INC. IS PROHIBITED.

UNLESS OTHERWISE SPECIFIED: DIMENSIONS ARE IN INCHES TOLERANCES: FRACTIONAL: ± 3% ANGULAR: ± 5% TWO PLACE DECIMAL: ± 3% THREE PLACE DECIMAL: ± 3%	DRAWN	NAME	DATE
	CHECKED	D.S.	9/14/07
	ENG APPR.		
	MFG APPR.		
	Q.A.		
MATERIAL ACRYLIC SHEET	COMMENTS: AVAILABLE IN WHITIE, BONE AND BISCUIT		
FINISH	DO NOT SCALE DRAWING		

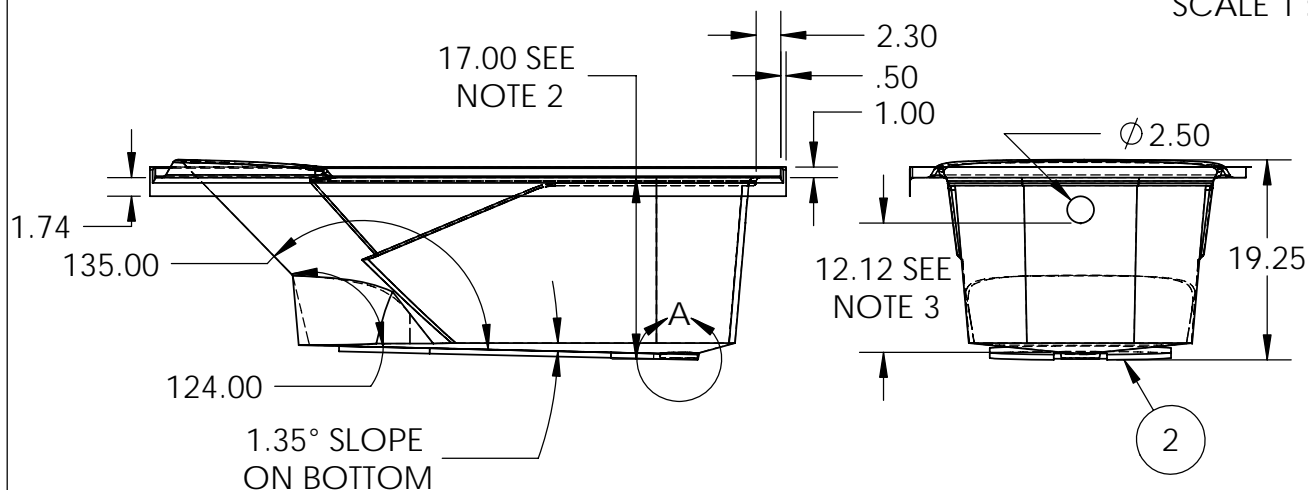
TITLE: <b>5' SPECTURUM 3-WALL LEFT TUB</b>		
SIZE <b>A</b>	DWG. NO. <b>50CT32L</b>	REV
SCALE: 1:18	WEIGHT:	SHEET 1 OF 1



DETAIL A  
SCALE 1 : 5



ITEM NO.	PART NUMBER	QTY.
1	50CT32R - 5' SPECTRUM 3-WALL RIGHT BATHTUB	1
2	WOOD 50CT32	1



NOTES:

1. ALL LARGE RADIUS 1.5" AND ALL SMALL RADIUS 0.50" UNLESS OTHERWISE STATED
2. DIMENSION IS FROM TOP OF THRESHOLD TO THE TOP OF FIXTURE DRAIN OPENING
3. DIMENSION IS FROM BOTTOM OF OVERFLOW TO THE LOWEST POINT IN BATHING WELL
4. ALL DIMENSIONS ARE APPROXIMATE AND SUBJECT TO CHANGE WITHOUT PRIOR NOTICE



**PROPRIETARY AND CONFIDENTIAL**  
THE INFORMATION CONTAINED IN THIS DRAWING IS THE SOLE PROPERTY OF TOMLIN INDUSTRIES (2000) INC. ANY REPRODUCTION IN PART OR AS A WHOLE WITHOUT THE WRITTEN PERMISSION OF TOMLIN INDUSTRIES (2000) INC. IS PROHIBITED.

UNLESS OTHERWISE SPECIFIED: DIMENSIONS ARE IN INCHES TOLERANCES: FRACTIONAL: ± 3% ANGULAR: ± 5% TWO PLACE DECIMAL: ± 3% THREE PLACE DECIMAL: ± 3%	DRAWN	NAME	DATE	TITLE: <b>5' SPECTRUM TUB 3-WALL RIGHT</b>
MATERIAL <b>ACRYLIC SHEET</b>	CHECKED	D.S.	9/14/07	
FINISH	ENG APPR.			
DO NOT SCALE DRAWING	MFG APPR.			
	Q.A.			
	COMMENTS: AVAILABLE IN WHITE, BONE AND BISCUIT			SIZE <b>A</b>
				DWG. NO. <b>50CT32R</b>
				REV
				SCALE: 1:18
				WEIGHT:
				SHEET 1 OF 1