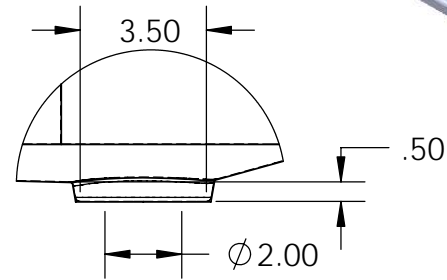
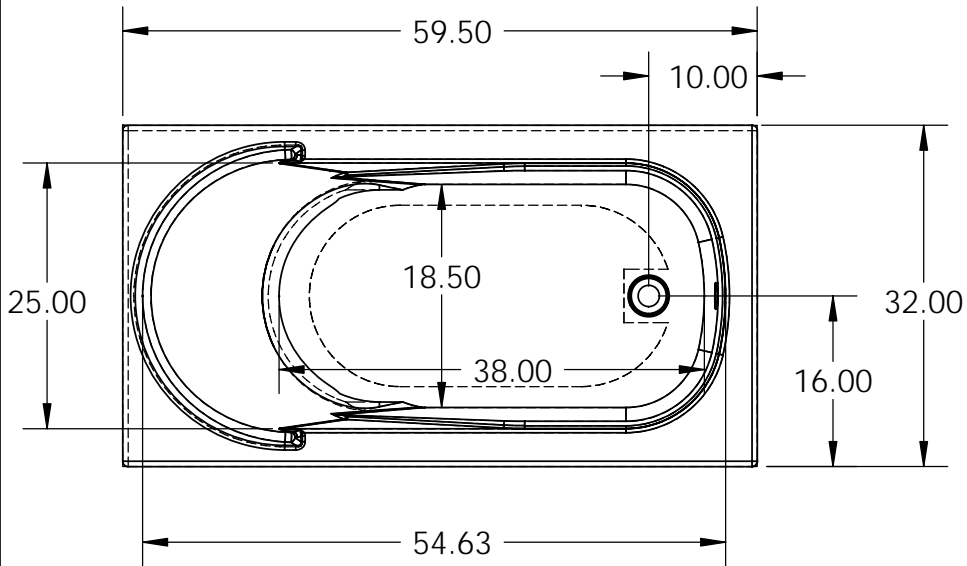
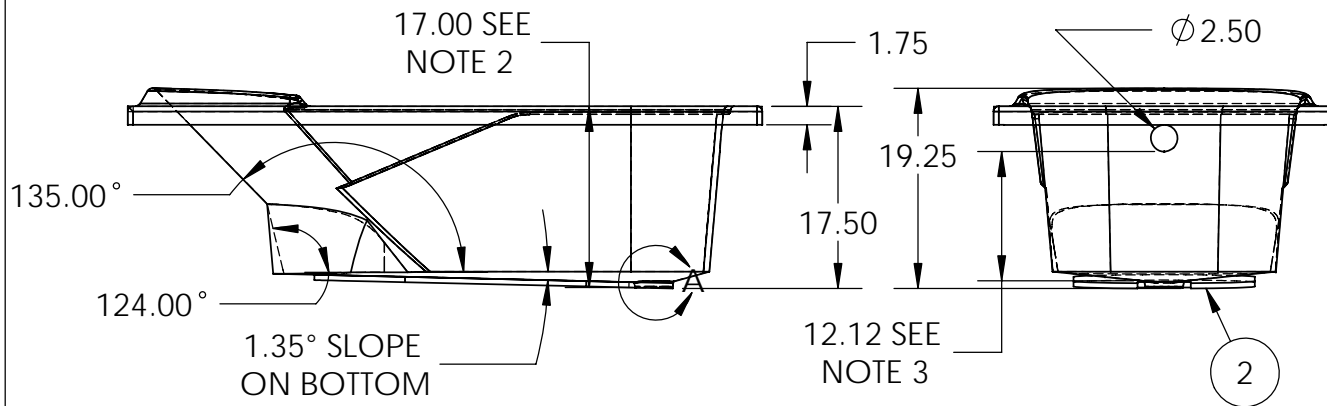
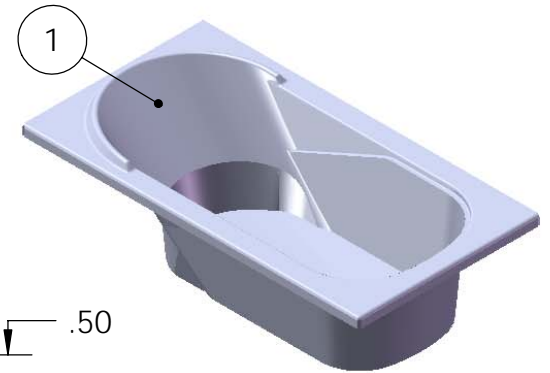


ITEM NO.	PART NUMBER	QTY.
1	50CT32 - 5' SPECTRUM DROP-IN BATHTUB	1
2	WOOD 50CT32	1



DETAIL A  
SCALE 1 : 5



NOTES:

1. ALL LARGE RADIUS 1.5" AND ALL SMALL RADIUS 0.50" UNLESS OTHERWISE SPECIFIED
2. DIMENSION IS FROM TOP OF THRESHOLD TO THE TOP OF FIXTURE DRAIN OPENING
3. DIMENSION IS FROM BOTTOM OF OVERFLOW TO THE LOWEST POINT IN BATHING WELL
4. ALL DIMENSIONS ARE APPROXIMATE AND SUBJECT TO CHANGE WITHOUT PRIOR NOTICE



**PROPRIETARY AND CONFIDENTIAL**  
THE INFORMATION CONTAINED IN THIS DRAWING IS THE SOLE PROPERTY OF TOMLIN INDUSTRIES (2000) INC. ANY REPRODUCTION IN PART OR AS A WHOLE WITHOUT THE WRITTEN PERMISSION OF TOMLIN INDUSTRIES (2000) INC. IS PROHIBITED.

UNLESS OTHERWISE SPECIFIED:	NAME	DATE
DIMENSIONS ARE IN INCHES	DRAWN	D.S. 9/14/07
TOLERANCES:	CHECKED	
FRACTIONAL: ± 3%	ENG APPR.	
ANGULAR: ± 5%	MFG APPR.	
TWO PLACE DECIMAL: ± 3%	Q.A.	
THREE PLACE DECIMAL: ± 3%	COMMENTS:	
MATERIAL ACRYLIC SHEET	AVAILABLE IN WHITE, BONE AND BISCUIT	
FINISH	DO NOT SCALE DRAWING	

TITLE:		
<b>5' SPECTRUM DROP-IN BATHTUB</b>		
SIZE <b>A</b>	DWG. NO. <b>50CT32</b>	REV
SCALE: 1:18	WEIGHT:	SHEET 1 OF 1