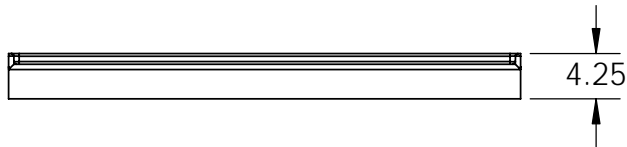
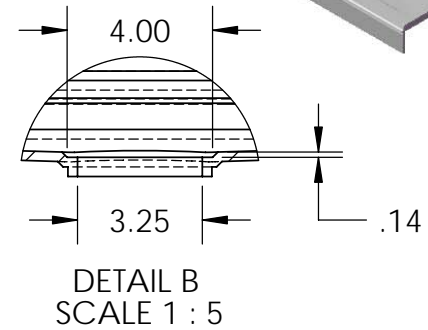
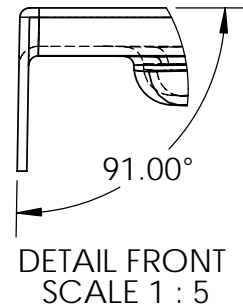
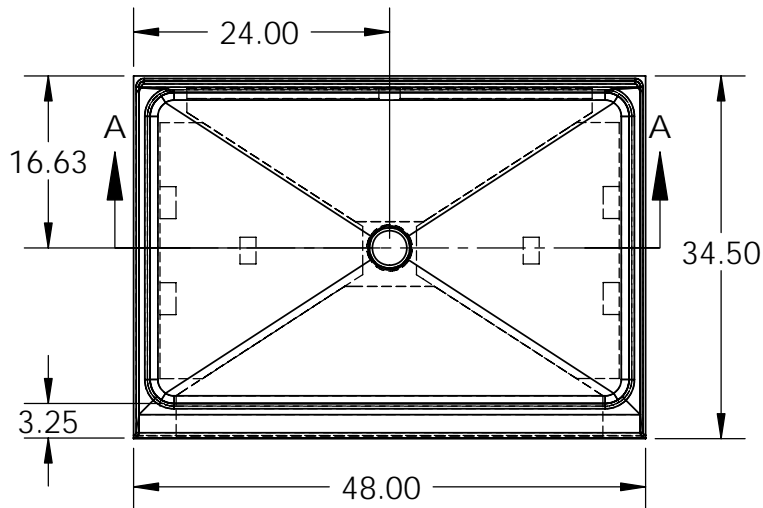
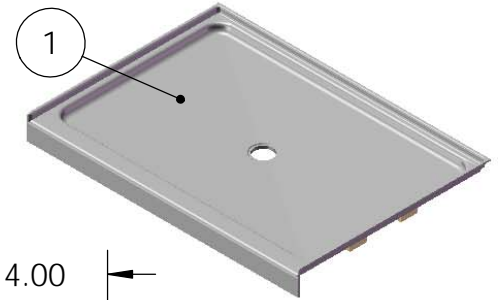


ITEM NO.	PART NUMBER	QTY.
1	48SB34 - 48" x 34" SQUARE BASE TWO INSERTS	1
2	48" WOOD SQUARE BASE BACK	1
3	48" WOOD SQUARE BASE FRONT	1
4	48" WOOD SQUARE BASE SIDE	2



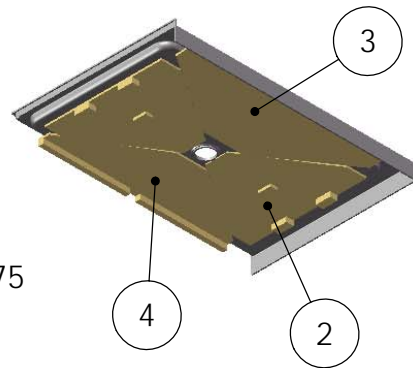
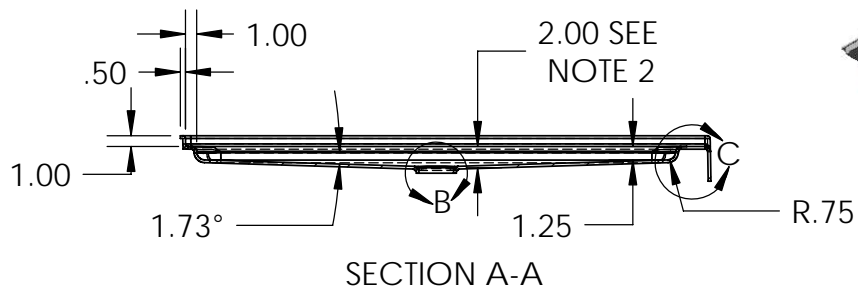
NOTES:

1. ALL RADIUS 0.50" UNLESS OTHERWISE STATED
2. DIMENSION IS FROM TOP OF THRESHOLD TO THE TOP OF THE FIXTURE DRAIN OPENING
3. ALL DIMENSIONS ARE APPROXIMATE AND SUBJECT TO CHANGE WITHOUT PRIOR NOTICE

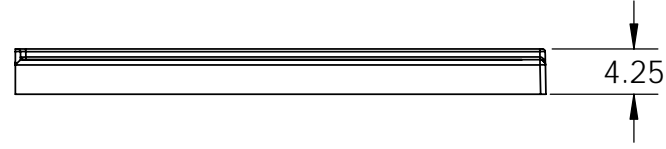
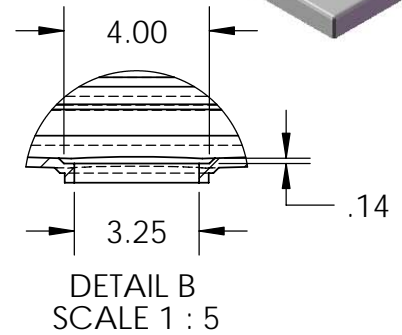
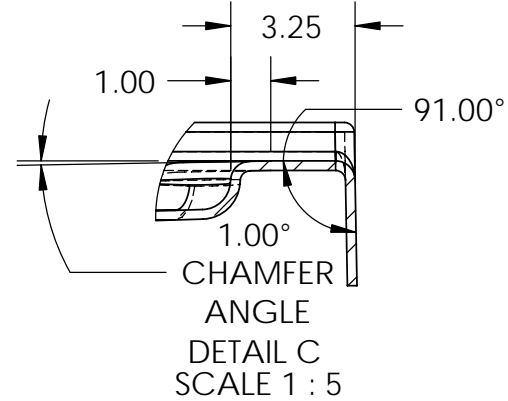
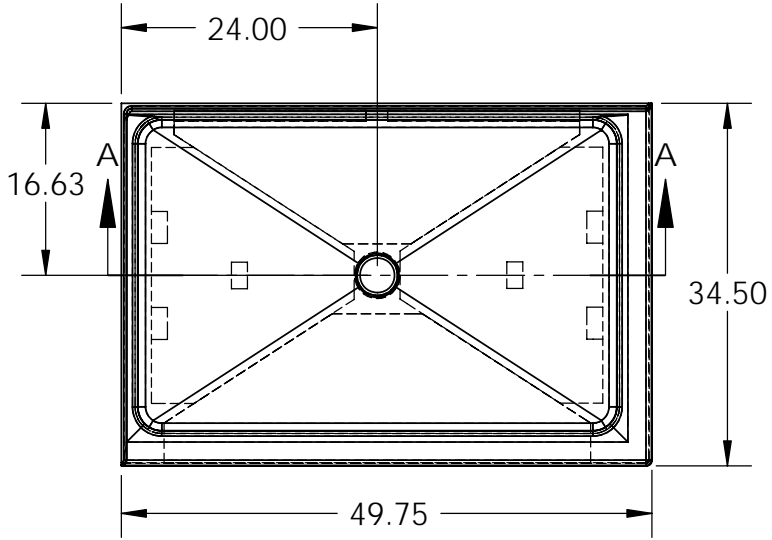
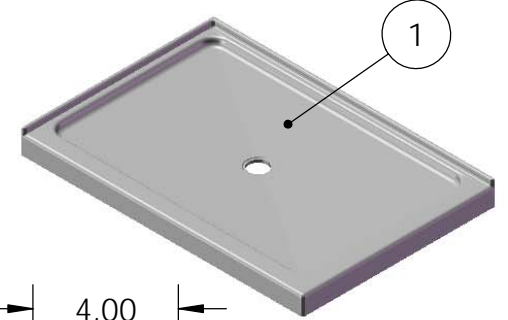


PROPRIETARY AND CONFIDENTIAL
 THE INFORMATION CONTAINED IN THIS DRAWING IS THE SOLE PROPERTY OF TOMLIN INDUSTRIES (2000) INC. ANY REPRODUCTION IN PART OR AS A WHOLE WITHOUT THE WRITTEN PERMISSION OF TOMLIN INDUSTRIES (2000) INC. IS PROHIBITED.

UNLESS OTHERWISE SPECIFIED: DIMENSIONS ARE IN INCHES TOLERANCES: FRACTIONAL: ± 3% ANGULAR: ± 5% TWO PLACE DECIMAL: ± 3% THREE PLACE DECIMAL: ± 3%	DRAWN	NAME	DATE	TITLE: 48" SQUARE BASE
MATERIAL ACRYLIC SHEET	CHECKED	D.S.	8/30/07	
FINISH	ENG APPR.			
DO NOT SCALE DRAWING	MFG APPR.			
	Q.A.			
	COMMENTS: AVAILABLE IN WHITE, BONE AND BISCUIT			SIZE A
				DWG. NO. 48SB34
				REV
				SCALE: 1:18
				WEIGHT:
				SHEET 1 OF 1



ITEM NO.	PART NUMBER	QTY.
1	48SB34 - 48" x 34" SQUARE BASE LEFT INSERT	1
2	48" WOOD SQUARE BASE SIDE	2
3	48" WOOD SQUARE BASE FRONT	1
4	48" WOOD SQUARE BASE BACK	1



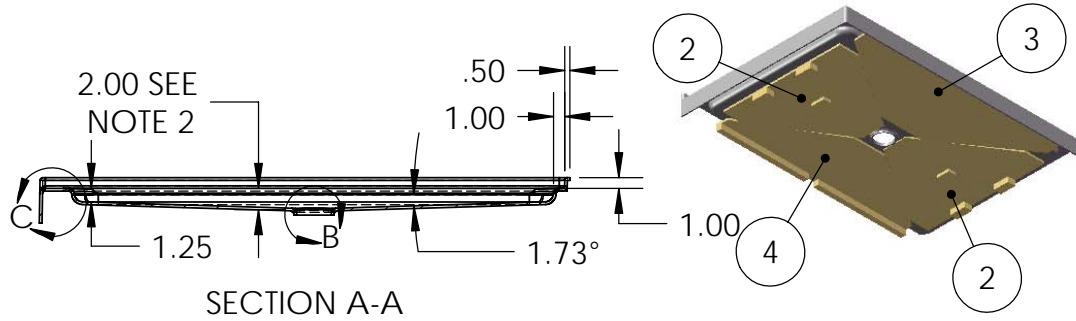
- NOTES:
1. ALL RADIUS 0.50" UNLESS OTHERWISE STATED
 2. DIMENSION IS FROM TOP OF TOP OF THRESHOLD TO THE TOP OF THE FIXTURE DRAIN OPENING
 3. ALL DIMENSIONS ARE APPROXIMATE AND SUBJECT TO CHANGE WITHOUT PRIOR NOTICE



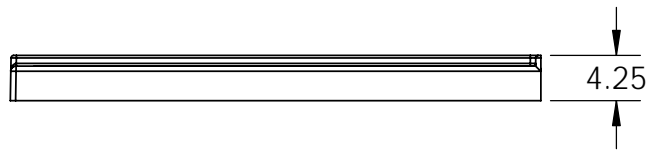
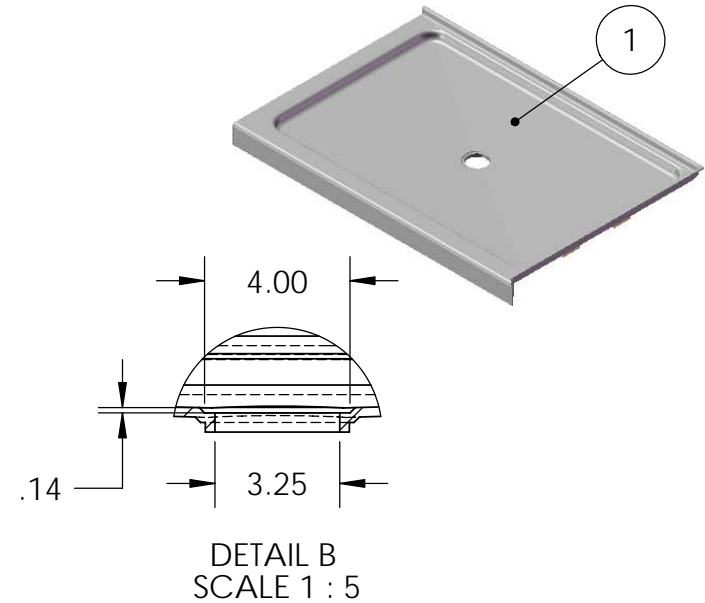
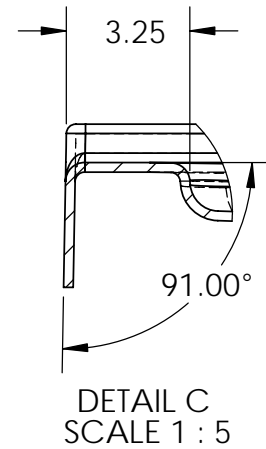
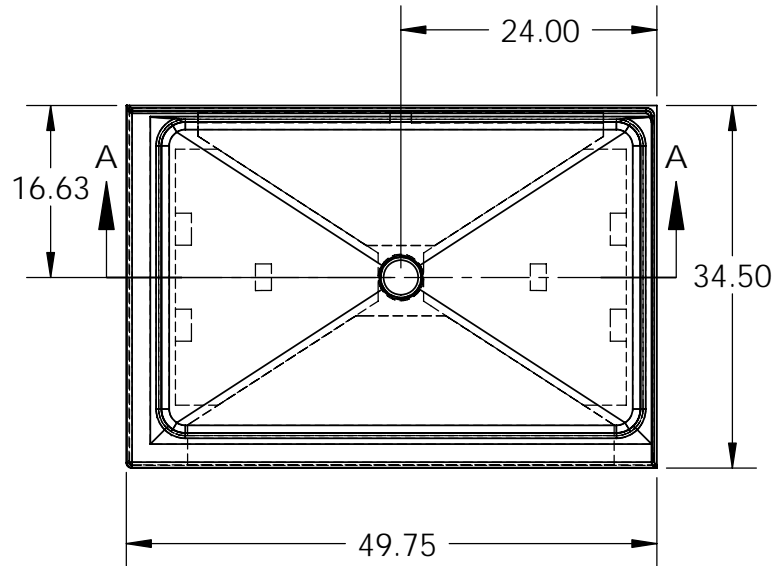
PROPRIETARY AND CONFIDENTIAL
 THE INFORMATION CONTAINED IN THIS DRAWING IS THE SOLE PROPERTY OF TOMLIN INDUSTRIES (2000) INC. ANY REPRODUCTION IN PART OR AS A WHOLE WITHOUT THE WRITTEN PERMISSION OF TOMLIN INDUSTRIES (2000) INC. IS PROHIBITED.

UNLESS OTHERWISE SPECIFIED: DIMENSIONS ARE IN INCHES TOLERANCES: FRACTIONAL: ± 3% ANGULAR: ± 5% TWO PLACE DECIMAL: ± 3% THREE PLACE DECIMAL: ± 3%	DRAWN	NAME	DATE	TITLE: 48" SQUARE BASE LEFT
MATERIAL ACRYLIC SHEET	CHECKED	D.S.	9/4/07	
FINISH	ENG APPR.			
DO NOT SCALE DRAWING	MFG APPR.			
	Q.A.			
	COMMENTS: AVAILABLE IN WHITE, BONE AND BISCUIT			

SIZE A	DWG. NO. 48SB34L	REV
SCALE: 1:18	WEIGHT:	SHEET 1 OF 1



ITEM NO.	PART NUMBER	QTY.
1	48SB34 - 48" x 34" SQUARE BASE RIGHT INSERT	1
2	48" WOOD SQUARE BASE SIDE	2
3	48" WOOD SQUARE BASE FRONT	1
4	48" WOOD SQUARE BASE BACK	1



NOTES:

1. ALL RADIUS 0.50" UNLESS OTHERWISE STATED
2. DIMENSION IS FROM TOP OF THRESHOLD TO THE TOP OF FIXTURE DRAIN OPENING
3. ALL DIMENSIONS ARE APPROXIMATE AND SUBJECT TO CHANGE WITHOUT PRIOR NOTICE



PROPRIETARY AND CONFIDENTIAL

THE INFORMATION CONTAINED IN THIS DRAWING IS THE SOLE PROPERTY OF TOMLIN INDUSTRIES (2000) INC. ANY REPRODUCTION IN PART OR AS A WHOLE WITHOUT THE WRITTEN PERMISSION OF TOMLIN INDUSTRIES (2000) INC. IS PROHIBITED.

UNLESS OTHERWISE SPECIFIED:	NAME	DATE
DIMENSIONS ARE IN INCHES	DRAWN	D.S.
TOLERANCES:	CHECKED	9/4/07
FRACTIONAL: ± 3%	ENG APPR.	
ANGULAR: ± 5%	MFG APPR.	
TWO PLACE DECIMAL: ± 3%	Q.A.	
THREE PLACE DECIMAL: ± 3%	COMMENTS:	
MATERIAL	AVAILABLE IN WHITE, BONE AND BISCUIT	
ACRYLIC SHEET		
FINISH		
DO NOT SCALE DRAWING		

TITLE:		
48" SQUARE BASE RIGHT		
SIZE	DWG. NO.	REV
A	48SB34R	
SCALE: 1:18	WEIGHT:	SHEET 1 OF 1