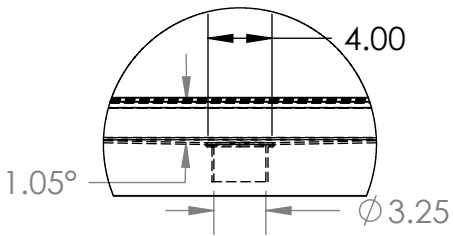
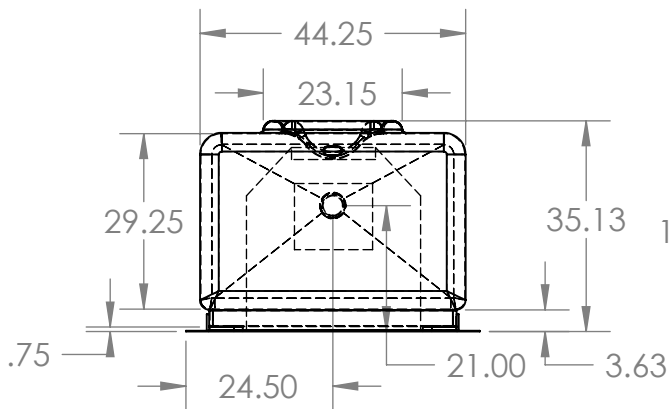
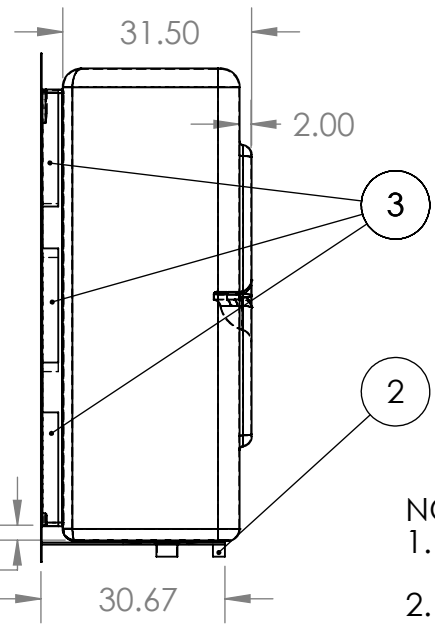
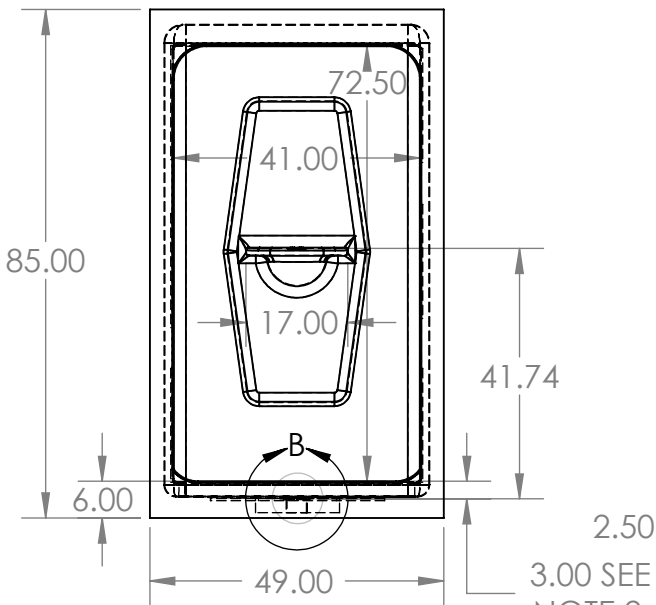
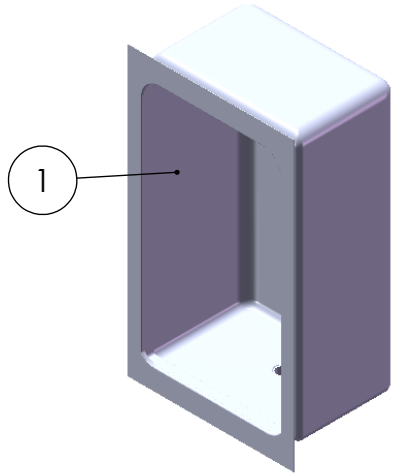


ITEM NO.	PART NUMBER	QTY.
1	48 - 48" SHOWER STALL	1
2	48" WOOD SHOWER	1
3	19' SUPPORT STICK	6



DETAIL B
SCALE 1 : 12



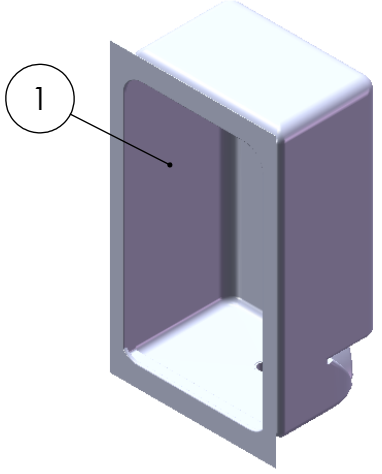
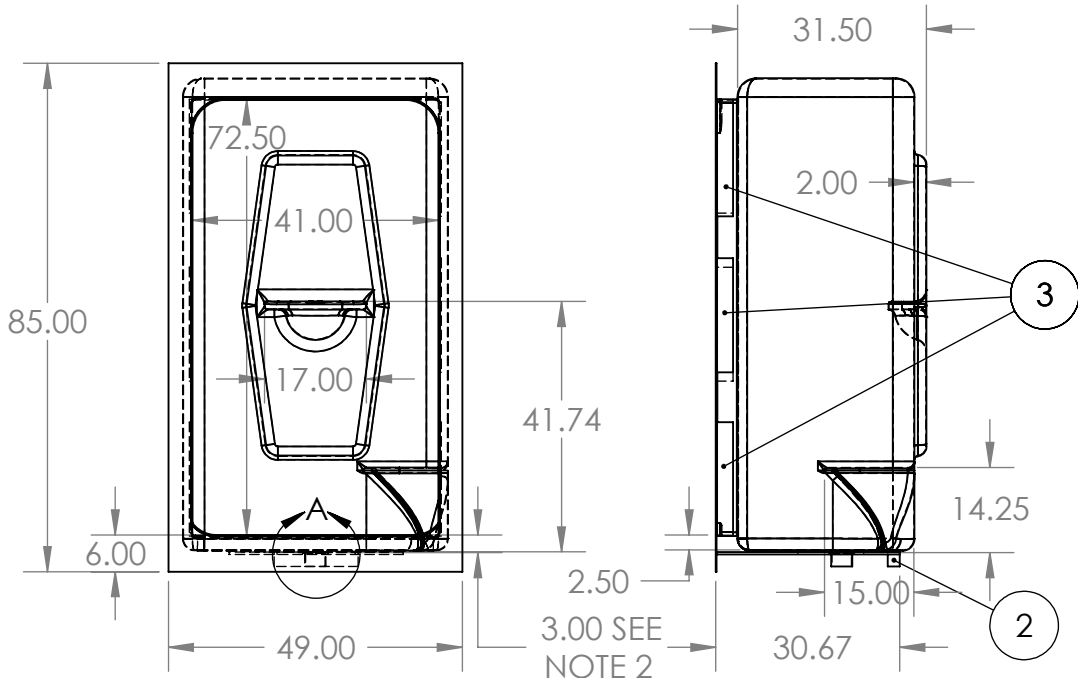
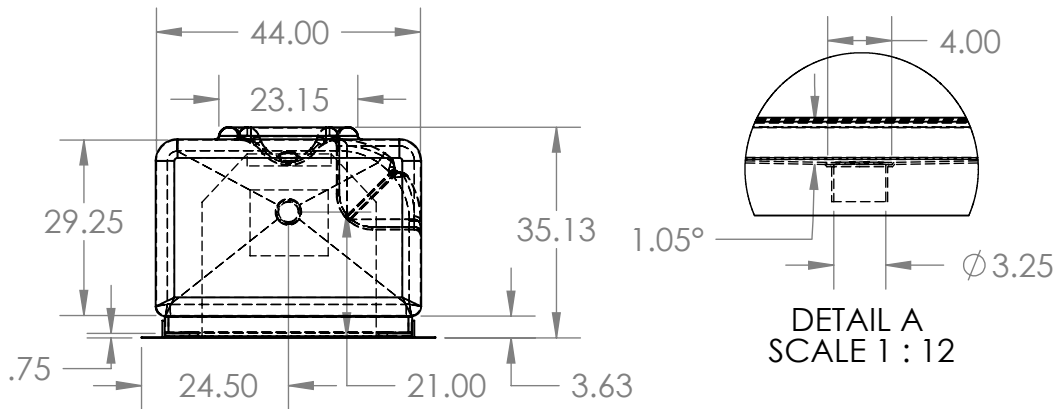
- NOTES:
- ALL LARGE RADIUS 3.0" AND ALL SMALL RADIUS 0.50" UNLESS OTHERWISE STATED
 - DIMENSION IS FROM TOP OF THRESHOLD TO THE TOP OF FIXTURE DRAIN OPENING
 - ALL DIMENSIONS ARE APPROXIMATE AND SUBJECT TO CHANGE WITHOUT PRIOR NOTICE



PROPRIETARY AND CONFIDENTIAL
THE INFORMATION CONTAINED IN THIS DRAWING IS THE SOLE PROPERTY OF TOMLIN INDUSTRIES (2000) INC. ANY REPRODUCTION IN PART OR AS A WHOLE WITHOUT THE WRITTEN PERMISSION OF TOMLIN INDUSTRIES (2000) INC. IS PROHIBITED.

UNLESS OTHERWISE SPECIFIED: DIMENSIONS ARE IN INCHES TOLERANCES: FRACTIONAL: ± 3% ANGULAR: ± 5% TWO PLACE DECIMAL: ± 3% THREE PLACE DECIMAL: ± 3%	DRAWN	NAME	DATE	TITLE: HORIZON SHOWER
MATERIAL ACRYLIC SHEET	CHECKED	D.S.	9/6/07	
FINISH	ENG APPR.			
DO NOT SCALE DRAWING	MFG APPR.			
	Q.A.			
	COMMENTS: AVAILABLE IN WHITE, BONE AND BISCUIT			SIZE A
				DWG. NO. 48
				REV
				SCALE: 1:32
				WEIGHT:
				SHEET 1 OF 1

ITEM NO.	PART NUMBER	QTY.
1	48R - 48" SHOWER STALL RIGHT SEAT	1
2	48" WOOD SHOWER	1
3	19' SUPPORT STICK	6



- NOTES:
- ALL LARGE RADIUS 3.0" AND ALL SMALL RADIUS 0.50" UNLESS OTHERWISE STATED
 - DIMENSION IS FROM TOP OF THRESHOLD TO THE TOP OF FIXTURE DRAIN OPENING
 - ALL DIMENSIONS ARE APPROXIMATE AND SUBJECT TO CHANGE WITHOUT PRIOR NOTICE

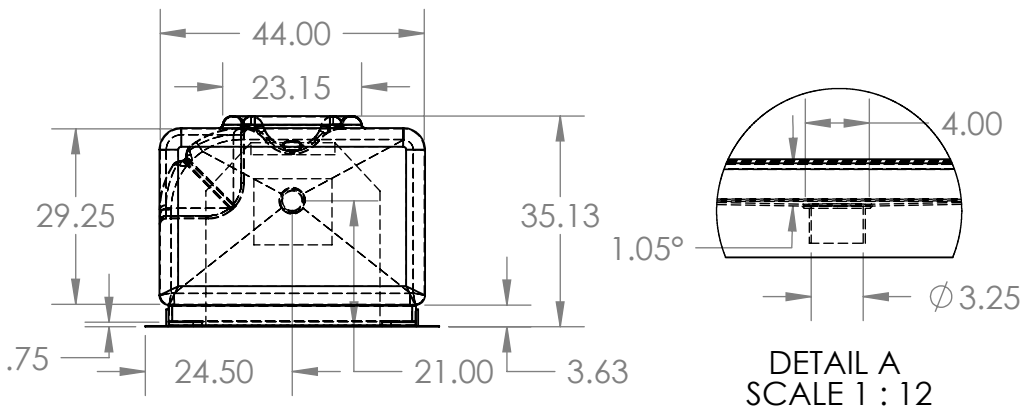


PROPRIETARY AND CONFIDENTIAL
 THE INFORMATION CONTAINED IN THIS DRAWING IS THE SOLE PROPERTY OF TOMLIN INDUSTRIES (2000) INC. ANY REPRODUCTION IN PART OR AS A WHOLE WITHOUT THE WRITTEN PERMISSION OF TOMLIN INDUSTRIES (2000) INC. IS PROHIBITED.

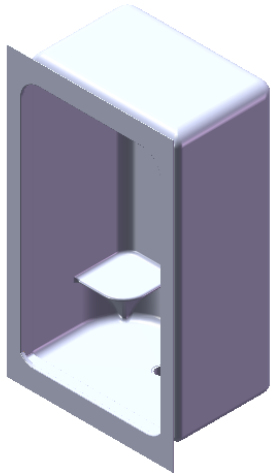
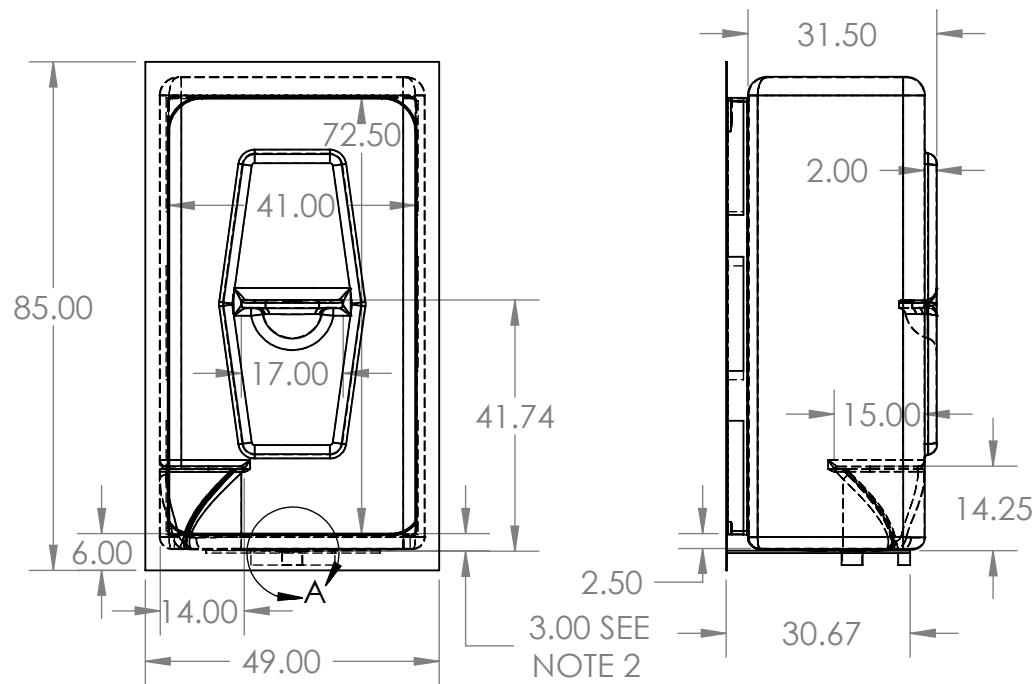
UNLESS OTHERWISE SPECIFIED: DIMENSIONS ARE IN INCHES TOLERANCES: FRACTIONAL: ± 3% ANGULAR: ± 5% TWO PLACE DECIMAL: ± 3% THREE PLACE DECIMAL: ± 3%	DRAWN	NAME	DATE
MATERIAL ACRYLIC SHEET	CHECKED	D.S.	9/6/07
FINISH	ENG APPR.		
	MFG APPR.		
	Q.A.		
	COMMENTS:		
DO NOT SCALE DRAWING	AVAILABLE IN WHITE, BONE AND BISCUIT		

TITLE: HORIZON RIGHT SEAT SHOWER		
SIZE A	DWG. NO. 48R	REV
SCALE: 1:32	WEIGHT:	SHEET 1 OF 1

ITEM NO.	PART NUMBER	QTY.
1	48L - 48" SHOWER STALL LEFT SEAT	1
2	48" WOOD SHOWER	1
3	19' SUPPORT STICK	6



DETAIL A
SCALE 1 : 12



- NOTES:
1. ALL LARGE RADIUS 3.0" AND ALL SMALL RADIUS 0.50" UNLESS OTHERWISE STATED
 2. DIMENSION IS FROM TOP OF THRESHOLD TO THE TOP OF FIXTURE DRAIN OPENING
 3. ALL DIMENSIONS ARE APPROXIMATE AND ARE SUBJECT TO CHANGE WITHOUT PRIOR NOTICE



PROPRIETARY AND CONFIDENTIAL
THE INFORMATION CONTAINED IN THIS DRAWING IS THE SOLE PROPERTY OF TOMLIN INDUSTRIES (2000) INC. ANY REPRODUCTION IN PART OR AS A WHOLE WITHOUT THE WRITTEN PERMISSION OF TOMLIN INDUSTRIES (2000) INC. IS PROHIBITED.

UNLESS OTHERWISE SPECIFIED: DIMENSIONS ARE IN INCHES TOLERANCES: FRACTIONAL: ± 3% ANGULAR: ± 5% TWO PLACE DECIMAL: ± 3% THREE PLACE DECIMAL: ± 3%	NAME	DATE
	DRAWN	D.S. 9/6/07
	CHECKED	
	ENG APPR.	
	MFG APPR.	
MATERIAL	ACRYLIC SHEET	
FINISH	Q.A.	
COMMENTS: AVAILABLE IN WHITE, BONE AND BISCUIT		
DO NOT SCALE DRAWING		

TITLE: HORIZON LEFT SEAT SHOWER		
SIZE	DWG. NO.	REV
A	48L	
SCALE: 1:32	WEIGHT:	SHEET 1 OF 1