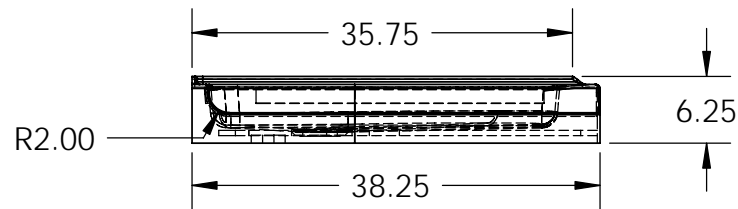
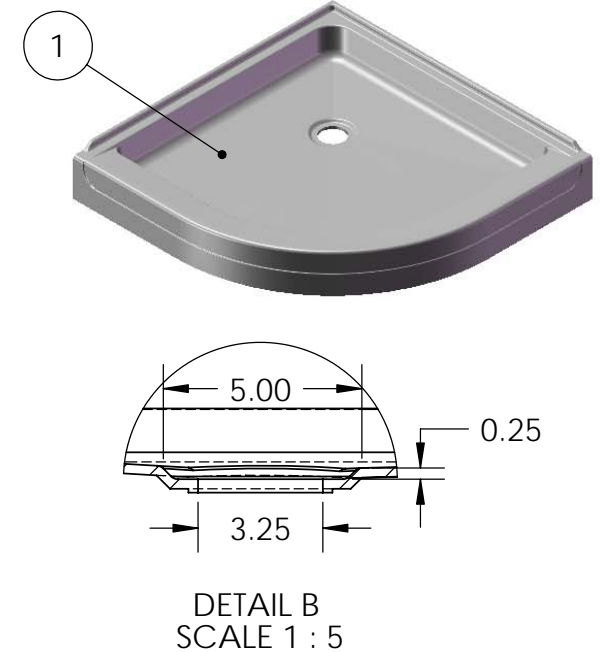
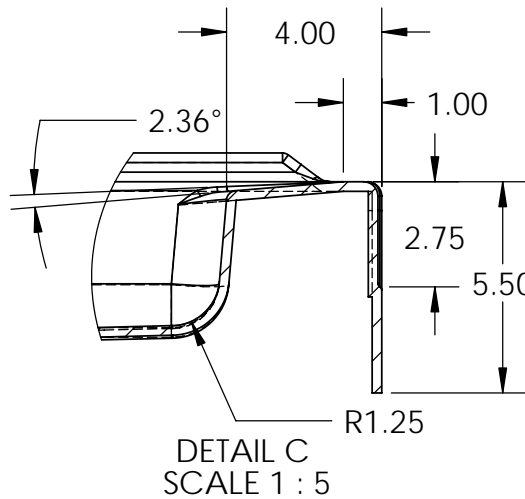
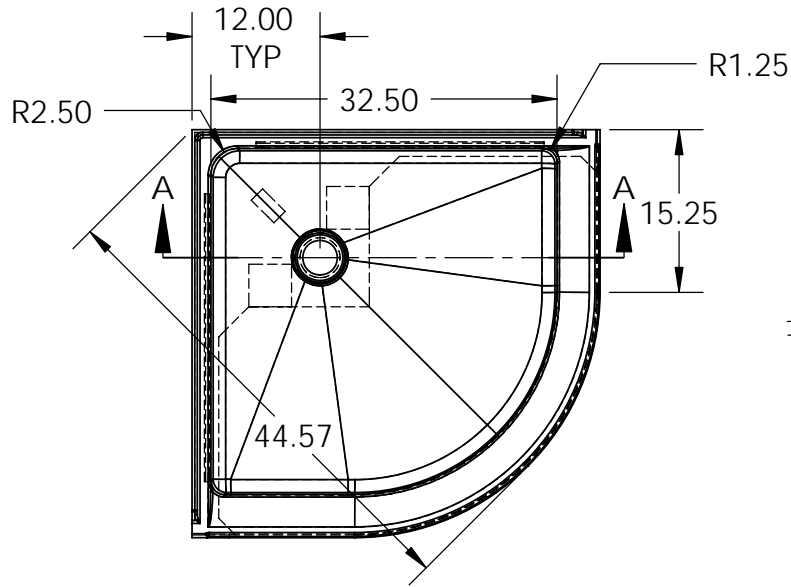


ITEM NO.	PART NUMBER	QTY.
1	38RB38 - 38" ROUND BASE	1
2	38" WOOD ROUND	1
3	4" SUPPORT SQUARE	2
4	0.375" x 1.5" x 3" LEVELING BLOCK	1
5	27" SUPPORT STICK	2



NOTES:

1. MINIMUM SLOPE > 1 DEGREE
2. DIMENSION IS FROM TOP OF THRESHOLD TO THE TOP OF FIXTURE DRAIN OPENING
3. ALL RADIUS 0.50" UNLESS OTHERWISE STATED
4. ALL DIMENSIONS ARE APPROXIMATE AND SUBJECT TO CHANGE WITHOUT PRIOR NOTICE



**PROPRIETARY AND CONFIDENTIAL**  
 THE INFORMATION CONTAINED IN THIS DRAWING IS THE SOLE PROPERTY OF TOMLIN INDUSTRIES (2000) INC. ANY REPRODUCTION IN PART OR AS A WHOLE WITHOUT THE WRITTEN PERMISSION OF TOMLIN INDUSTRIES (2000) INC. IS PROHIBITED.

UNLESS OTHERWISE SPECIFIED: DIMENSIONS ARE IN INCHES TOLERANCES: FRACTIONAL: ± 3% ANGULAR: ± 5% TWO PLACE DECIMAL: ± 3% THREE PLACE DECIMAL: ± 3%	DRAWN	NAME	DATE	TITLE:  <b>CASTILLO 38 ROUND BASE</b>
MATERIAL ACRYLIC SHEET	CHECKED	D.S.	8/24/07	
FINISH	ENG APPR.			
DO NOT SCALE DRAWING	MFG APPR.			
	Q.A.			
	COMMENTS: AVAILABLE IN WHITE, BONE AND BISCUIT			SIZE <b>A</b>
				DWG. NO. <b>38RB38</b>
				REV
				SCALE: 1:24
				WEIGHT:
				SHEET 1 OF 1