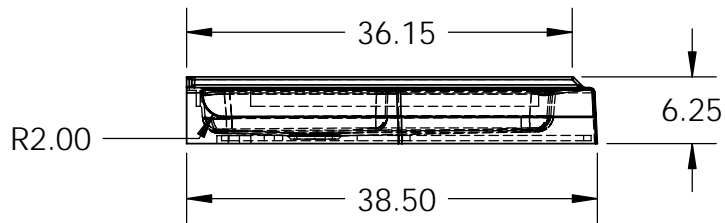
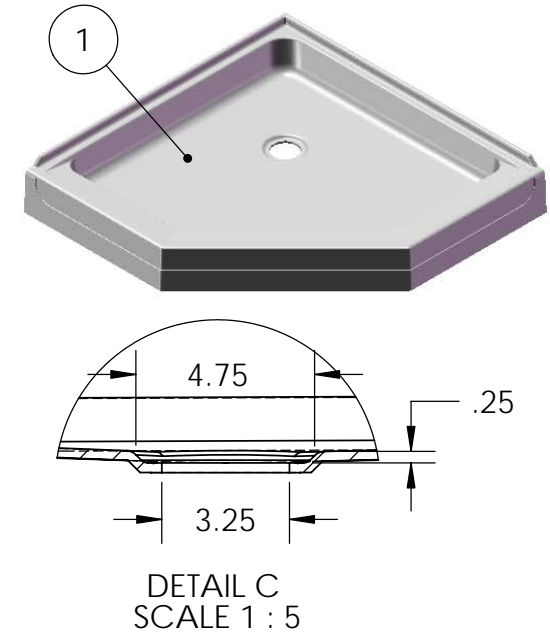
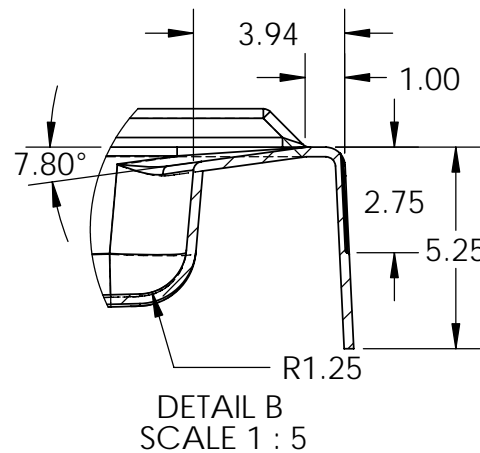
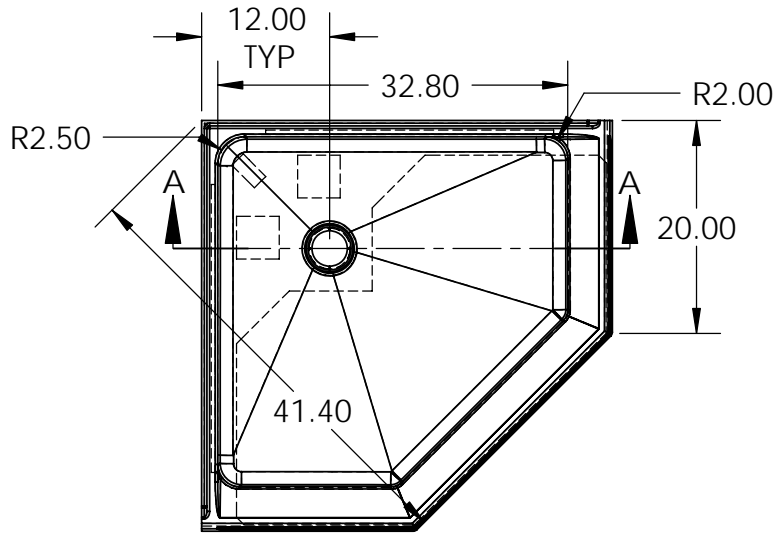


ITEM NO.	PART NUMBER	QTY.
1	38NB38 - 38" NEO BASE	1
2	0.375" x 1.5" x 3" LEVELING BLOCK	1
3	4" SUPPORT SQUARE	2
4	38" WOOD NEO	1
5	27" SUPPORT STICK	2



- NOTES:
1. MINIMUM SLOPE > OR = 1 DEGREE
 2. DIMENSION IS FROM TOP OF THRESHOLD TO THE TOP OF FIXTURE DRAIN OPENING
 3. ALL RADIUS 0.50" UNLESS OTHERWISE STATED
 4. ALL DIMENSIONS ARE APPROXIMATE AND SUBJECT TO CHANGE WITHOUT PRIOR NOTICE



PROPRIETARY AND CONFIDENTIAL
 THE INFORMATION CONTAINED IN THIS DRAWING IS THE SOLE PROPERTY OF TOMLIN INDUSTRIES (2000) INC. ANY REPRODUCTION IN PART OR AS A WHOLE WITHOUT THE WRITTEN PERMISSION OF TOMLIN INDUSTRIES (2000) INC. IS PROHIBITED.

UNLESS OTHERWISE SPECIFIED:	NAME	DATE
DIMENSIONS ARE IN INCHES	DRAWN	D.S. 8/24/07
TOLERANCES:	CHECKED	
FRACTIONAL: ± 3%	ENG APPR.	
ANGULAR: ± 5%	MFG APPR.	
TWO PLACE DECIMAL: ± 3%	Q.A.	
THREE PLACE DECIMAL: ± 3%	COMMENTS:	
MATERIAL	AVAILABLE IN WHITE, BONE AND BISCUIT	
ACRYLIC SHEET		
FINISH		
DO NOT SCALE DRAWING		

TITLE:		
MIRADO 38 NEO BASE		
SIZE	DWG. NO.	REV
A	38NB38	
SCALE: 1:24	WEIGHT:	SHEET 1 OF 1