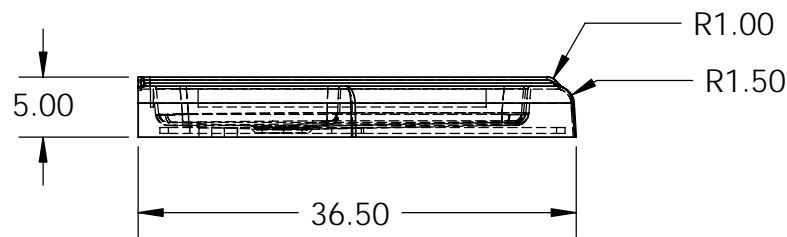
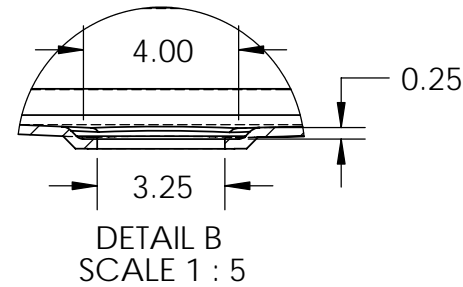
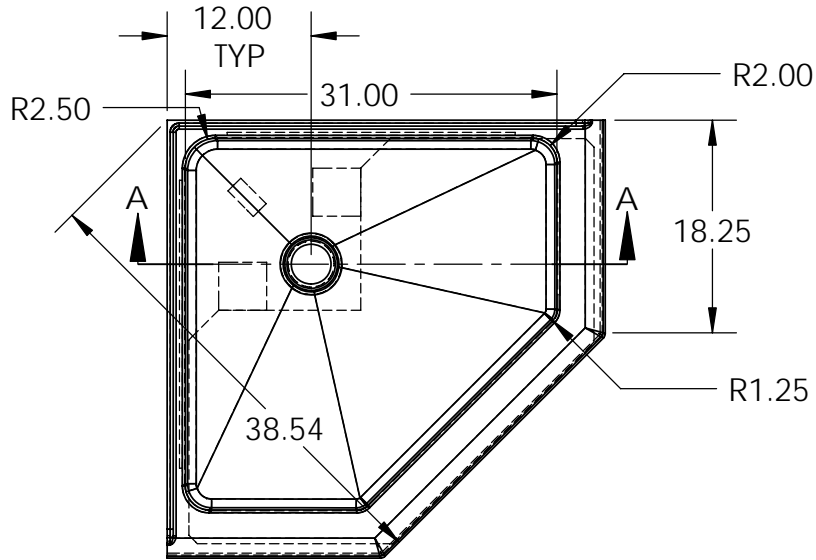
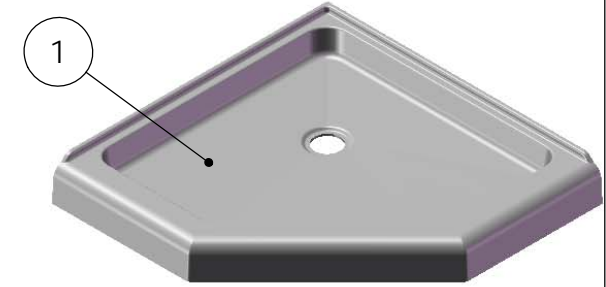


ITEM NO.	PART NUMBER	QTY.
1	36NB36 - 36" NEO BASE	1
2	36" WOOD NEO	1
3	24" SUPPORT STICK	2
4	4" SUPPORT SQUARE	2
5	0.375" x 1.5" x 3" LEVELING BLOCK	1



NOTES:

1. MINIMUM SLOPE > 1 DEGREE
2. DIMENSION IS FROM TOP OF THRESHOLD TO THE TOP OF FIXTURE DRAIN OPENING
3. ALL RADIUS 0.50" UNLESS OTHERWISE STATED
4. ALL DIMENSIONS ARE APPROXIMATE AND SUBJECT TO CHANGE WITHOUT PRIOR NOTICE



PROPRIETARY AND CONFIDENTIAL
 THE INFORMATION CONTAINED IN THIS DRAWING IS THE SOLE PROPERTY OF TOMLIN INDUSTRIES (2000) INC. ANY REPRODUCTION IN PART OR AS A WHOLE WITHOUT THE WRITTEN PERMISSION OF TOMLIN INDUSTRIES (2000) INC. IS PROHIBITED.

UNLESS OTHERWISE SPECIFIED: DIMENSIONS ARE IN INCHES TOLERANCES: FRACTIONAL: ± 3% ANGULAR: ± 5% TWO PLACE DECIMAL: ± 3% THREE PLACE DECIMAL: ± 3%		NAME D.S.	DATE 8/23/07	TITLE: MIRADO 36 NEO BASE	
MATERIAL ACRYLIC SHEET	DRAWN	CHECKED	ENG APPR.	MFG APPR.	Q.A.
FINISH	COMMENTS: AVAILABLE IN WHITE, BONE AND BISCUIT		SCALE: 1:24	WEIGHT:	REV 36NB36
DO NOT SCALE DRAWING					SHEET 1 OF 1