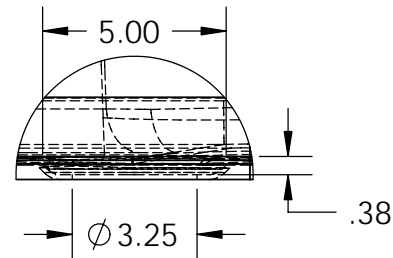
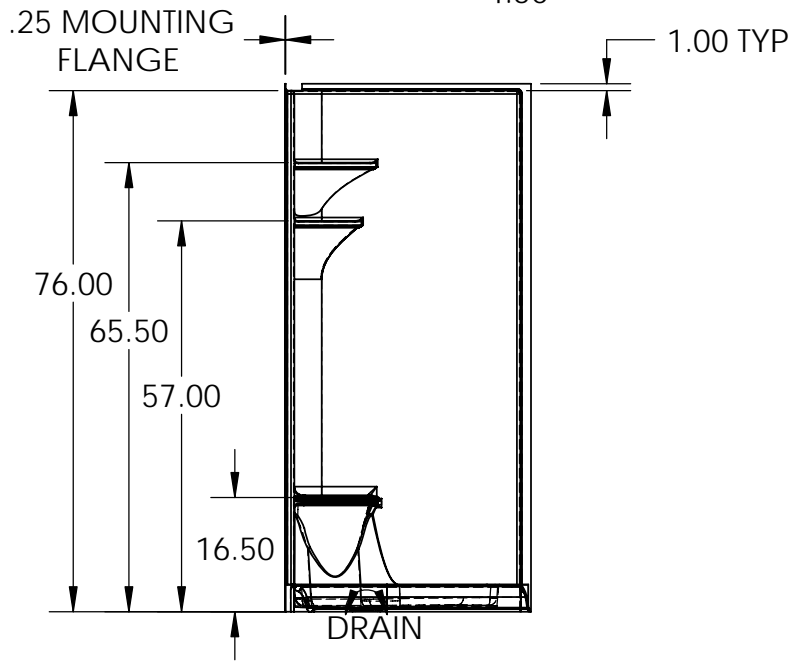
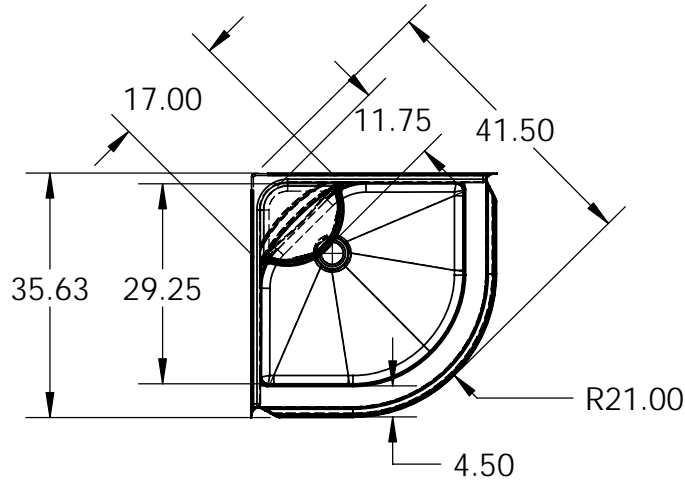


ITEM NO.	PART NUMBER	QTY.
1	361PR - 36" ROUND 1 PIECE	1
2	WOOD 361PR	1
3	WOOD SUPPORTS	4



DETAIL DRAIN
SCALE 1 : 5



NOTES:

1. ALL LARGE RADIUS 0.8" AND ALL SMALL RADIUS 0.25" UNLESS OTHERWISE STATED
2. ALL DIMENSIONS ARE APPROXIMATE AND SUBJECT TO CHANGE WITHOUT PRIOR NOTICE



PROPRIETARY AND CONFIDENTIAL
THE INFORMATION CONTAINED IN THIS DRAWING IS THE SOLE PROPERTY OF TOMLIN INDUSTRIES (2000) INC. ANY REPRODUCTION IN PART OR AS A WHOLE WITHOUT THE WRITTEN PERMISSION OF TOMLIN INDUSTRIES (2000) INC. IS PROHIBITED.

UNLESS OTHERWISE SPECIFIED: DIMENSIONS ARE IN INCHES TOLERANCES: FRACTIONAL: ± 3% ANGULAR: ± 5% TWO PLACE DECIMAL: ± 3% THREE PLACE DECIMAL: ± 3%	DRAWN	NAME	DATE
MATERIAL ACRYLIC SHEET	CHECKED	D.S.	11/13/07
FINISH	ENG APPR.		
DO NOT SCALE DRAWING	MFG APPR.		
	Q.A.		
	COMMENTS: AVAILABLE IN WHITE, BONE AND BISCUIT		

TITLE: 36" ROUND 1-PIECE SHOWER		
SIZE A	DWG. NO. 361PR	REV
SCALE: 1:28	WEIGHT:	SHEET 1 OF 1