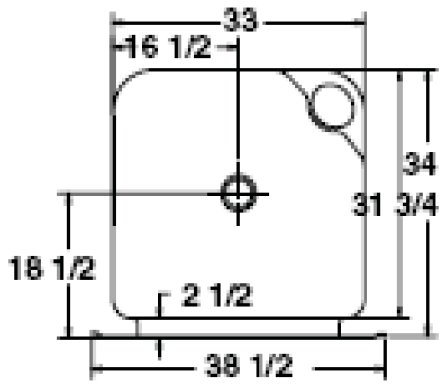
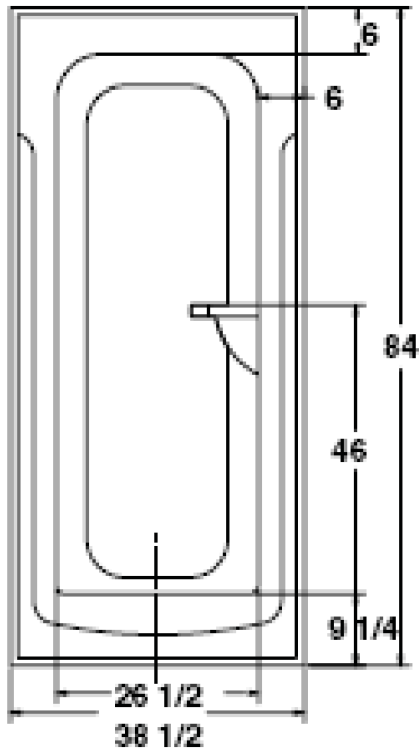


ITEM NO.	PART NUMBER	QTY.
1	36 - 36" SHOWER STALL	1
2	WOOD 36	1



**PROPRIETARY AND CONFIDENTIAL**  
 THE INFORMATION CONTAINED IN THIS DRAWING IS THE SOLE PROPERTY OF TOMLIN INDUSTRIES (2000) INC. ANY REPRODUCTION IN PART OR AS A WHOLE WITHOUT THE WRITTEN PERMISSION OF TOMLIN INDUSTRIES (2000) INC. IS PROHIBITED.

UNLESS OTHERWISE SPECIFIED: DIMENSIONS ARE IN INCHES TOLERANCES: FRACTIONAL: ± 3% ANGULAR: ± 5% TWO PLACE DECIMAL: ± 3% THREE PLACE DECIMAL: ± 3%	DRAWN	NAME	DATE
MATERIAL ACRYLIC SHEET	CHECKED	D.S.	12/20/07
FINISH	ENG APPR.		
	MFG APPR.		
	Q.A.		
DO NOT SCALE DRAWING	COMMENTS: AVAILABLE IN WHITE, BONE AND BISCUIT		

TITLE: <b>36" SHOWER STALL</b>		
SIZE <b>A</b>	DWG. NO. <b>36</b>	REV
SCALE: 1:18	WEIGHT:	SHEET 1 OF 1